

# AFL FLOODLIGHT

## Flood Lighting for Hazardous Locations

- Class I, Division 2, Groups A, B, C & D
- UL 844 Hazardous Locations
- UL 1598A Marine Outside Type
- UL 1598 Wet Locations
- Zone 2, Groups IIA, IIB & IIC
- CSA C22.2 No. 250.0-88
- CSA C22.2 No. 137-M1981
- Cast Aluminum
- 55°C Ambient Temperature
- IP66
- NEMA 4X



713.943.0340 | [azz.com/rigalite](http://azz.com/rigalite)

# AFL FLOODLIGHT

## Flood Lighting for Hazardous Locations

### Key Features:

- ① One-piece copper-free cast aluminum lamp and ballast housing with baked on powder coat finish
- ② Precision-formed specular reflector for optimum photometric and lighting performance
- ③ Thermal, shock, heat and impact resistant tempered clear glass lens
- ④ Hinged copper-free cast aluminum lens frame with front access for easy relamping and access
- ⑤ Four permanent safety cable attachment points
- ⑥ Sturdy mounting yoke



# AFL

Hazardous Locations • Cast Aluminum • Class I, Division 2 • UL 1598A, 844 • CUL • Wet Locations

## Catalog Number Logic

**AFL1 40-S-04-T-66-XX**

①

②

③

④

⑤

⑥

⑦

①

### BASIC SERIES

AFL Floodlight Series

- (i) AFL1 = 70-400 Watt Metal Halide and High Pressure Sodium Class I, Division 2, Groups A, B, C & D Zone 2, Groups IIA, IIB and IIC UL 844 Hazardous Locations UL 1598A Marine Outside Type CUL

④

### BALLAST VOLTAGE

- 04 = Multi-Tap (120, 208, 240 & 277V)
- 12 = 120V 60 HZ
- 20 = 208V 60 HZ
- 22 = 220V 50 HZ
- 24 = 240V 60 HZ
- 27 = 277V 60 HZ
- 34 = 347V 60 HZ
- 48 = 480V 60 HZ

②

### LAMP CURRENT/LAMP WATTAGE

- 07 = 70 Watt
- 10 = 100 Watt
- 15 = 150 Watt
- 17 = 175 Watt
- 25 = 250 Watt
- 32 = 320 Watt
- 35 = 350 Watt
- 40 = 400 Watt

⑤

### MOUNTING

- T = Trunion

⑥

### BEAM SPREAD

- 66 = 6V X 6H

③

### LAMP TYPE (MOGUL BASE)

- S = High Pressure Sodium (70, 100, 150, 200, 250, 400 Watt)
- H = Metal Halide (70, 100, 150, 175, 250, 320, 350, 400, Watt)

⑦

### OPTIONS<sup>1</sup>

- Q = Auxiliary Quartz Relay
- QTD = Auxiliary Quartz Relay Hot and Cold Start
- PC = Photo Cell<sup>3</sup>
- V = Visor
- LS = Lamp Support
- FB1 = Single Fuse Block<sup>2,3,4</sup>
- FB2 = Double Fuse Block<sup>2,3</sup>
- PL = Clear Acrylic Shield
- SMS = Shock Mounted Socket
- SC = Safety Cable (Eye Bold Included)
- PS = Pulse Start<sup>5</sup>
- R = Instant Restrike (HPS only up to 150W)

<sup>1</sup> Consult factory for pricing.

<sup>2</sup> Limited to 175W Maximum HID Lamp

<sup>3</sup> Not suitable for hazardous locations.

<sup>4</sup> Not available with multi-tap ballast unless incoming voltage is specified.

When installed, one fuse block/fuse holder is provided for 120, 277V. Fuse not included. Option not available for marine listed fixtures.

<sup>5</sup> Use universal or appropriate position oriented lamp.

# METAL HALIDE • HIGH PRESSURE SODIUM

## AFL

Hazardous Locations • Cast Aluminum • Class I, Division 2 • UL 1598A, 844 • CUL • Wet Locations



Shown with optional visor.

- Class I, Division 2, Groups A,B,C and D  
(See below for suitability as designated for ①, ② or ③)
- UL 844 Hazardous Locations
- UL 1598A Marine Outside Type
- Zone 2, Groups IIA, IIB and IIC
- One-piece copper-free cast aluminum lamp and ballast housing with baked on bronze polyester powder coat finish
- Precision formed specular finished reflector for optimum photometric performance
- Thermal shock, heat and impact-resistant tempered glass lens
- Marine grade hardware
- 55°C Ambient Temperature (AFL1 Series)

(Lamps not included)

Fixture Type	Figure Number	Lamp Wattage	Voltage	Catalog Number	Shipping Weight (Lbs.)		
High Pressure Sodium	1	70	Multi-Tap*	AFL07-S-04-T-66 ①②③	34.0		
			480V/60HZ	AFL07-S-48-T-66 ①②③	34.0		
		100	Multi-Tap*	AFL110-S-04-T-66 ①②③	34.0		
			480V/60HZ	AFL110-S-48-T-66 ①②③	34.0		
		150	Multi-Tap*	AFL115-S-04-T-66 ①②③	34.0		
			480V/60HZ	AFL115-S-48-T-66 ①②③	34.0		
		250	Multi-Tap*	AFL125-S-04-T-66 ①②③	37.0		
			480V/60HZ	AFL125-S-48-T-66 ①②③	36.5		
		400	Multi-Tap*	AFL140-S-04-T-66 ①②③	39.5		
			480V/60HZ	AFL140-S-48-T-66 ①②③	39.0		
		Metal Halide	1	175	Multi-Tap*	AFL117-H-04-T-66-PS ①②	35.0
					480V/60HZ	AFL117-H-48-T-66-PS ①②	35.0
250	Multi-Tap*			AFL125-H-04-T-66-PS ①②③	35.0		
	480V/60HZ			AFL125-H-48-T-66-PS ①②③	34.0		
320	Multi-Tap*			AFL132-H-04-T-66-PS ①②③	39.5		
	480V/60HZ			AFL132-H-48-T-66-PS ①②③	39.0		
350	Multi-Tap*			AFL135-H-04-T-66 ①②③	36.5		
	480V/60HZ			AFL135-H-48-T-66 ①②③	36.5		
400	Multi-Tap*			AFL140-H-04-T-66 ①②③	36.5		
	480V/60HZ			AFL140-H-48-T-66 ①②③	36.5		

\*120/208/240/277V 60HZ

① Class I, Division 2, UL 844 Listed

② UL 1598A Listed

③ CUL

# METAL HALIDE • HIGH PRESSURE SODIUM

## AFL

Hazardous Locations • Cast Aluminum • Class I, Division 2 • UL 1598A, 844 • CUL • Wet Locations

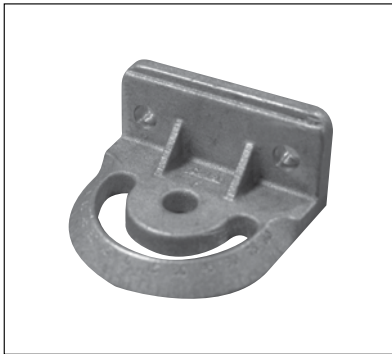
### Certification Guide

Model	Lamp	Ambient Temperature °C	Class I, Division 2 Groups A,B, C & D	Supply Wire Suitable Temperature °C
AFL140	MH	55	T1 (350°C)	105
AFL125	MH	55	T1 (325°C)	90
AFL117	MH	55	T1(325°C)	90
AFL115	MH	55	T1 (325°C)	90
AFL140	HPS	55	T1(450°C)	105
AFL125	HPS	55	T1 (350°C)	90
AFL115	HPS	55	T1 (350°C)	90

### Accessories

**NOTE:**

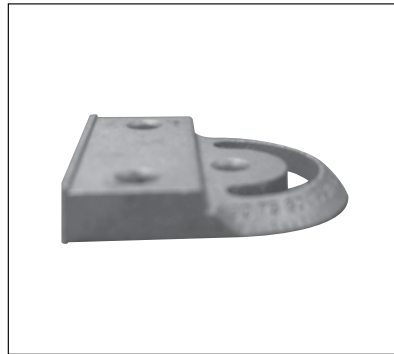
FLB-3 and FLB-5 fit 2 in. to 2-1/2 in. pipe size (2-3/8 in. to 2-7/8 in. O.D.)



**180° YOKE**

**Horizontal Mounting Kit**

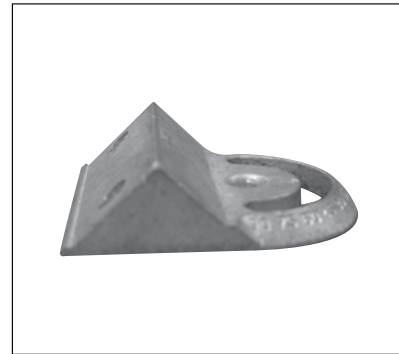
180° Adjustment, Includes (2) 1/2 in. Bolts  
Catalog Number: FLB-2  
Shipping Weight: 1.4 lbs.



**90° YOKE**

**Horizontal Mounting Kit**

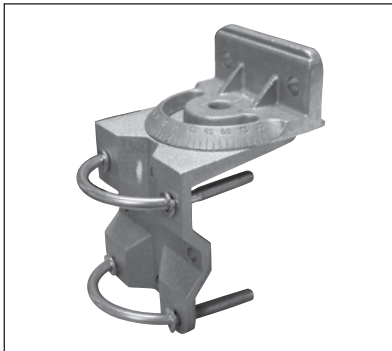
90° Adjustment, Includes (2) 1/2 in. Bolts  
Catalog Number: FLB-2-90  
Shipping Weight: 1.3 lbs.



**45° YOKE**

**Horizontal Mounting Kit**

45° Adjustment, Includes (2) 1/2 in. Bolts  
Catalog Number: FLB-2-45  
Shipping Weight: 1.5 lbs.



**Wall or Pole Mounting Kit**

Wall or Pole Mount, Includes (2) U-Bolts  
Catalog Number: FLB-3  
Shipping Weight: 3.6 lbs.



**Pole Top Mounting Kit**

Gasket Wiring Compartment Adapts Horizontal or Vertical Mounting Yokes, Includes (8) Set Screws,  
Catalog Number:RSF5 Shipping Weight: 5 lbs.

METAL HALIDE • HIGH PRESSURE SODIUM

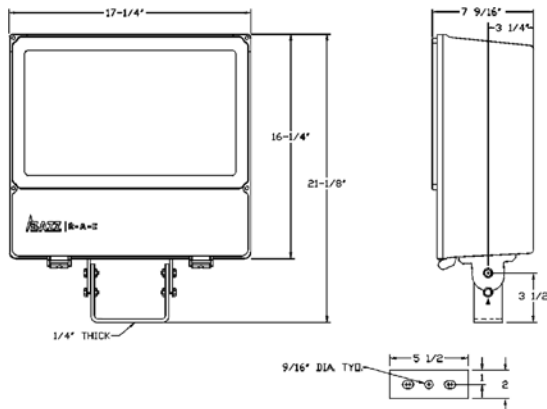
**AFL**

Hazardous Locations • Cast Aluminum • Class I, Division 2 • UL 1598A, 844 • CUL • Wet Locations

## Fixture Dimensions (inches)

**AFL1**

FIGURE 1



**EFFECTIVE PROJECTED AREA 2.0 sq. ft.**

175-400 Watt Metal Halide  
70-400 High Pressure Sodium