

# AFL Series

Hazardous Locations • Cast Aluminum • Class I, Division 2 • UL 1598A, 844 • CUL • Wet Locations

## Certification Guide

Model	Lamp	Ambient Temperature (°C)	Class I, Div. 2	Supply Wire Suitable Temp °C
AFL140	MH/ HPS	40	T1	90
AFL125	MH/HPS	40	T1	90
AFL117	MH	40	T1	90
AFL110	HPS	40	T1	90
AFL107	HPS	40	T1	90
AFL5	HPS	25	T1	90

## Accessories

**NOTE:**

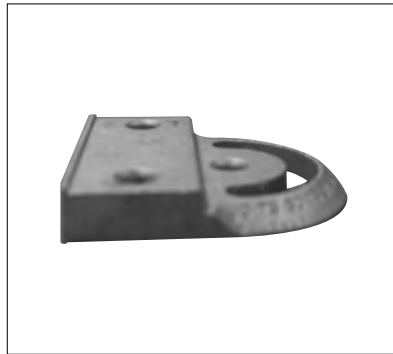
FLB-3 and FLB-5 fit 2 in. to 2-1/2 in. pipe size (2-3/8 in. to 2-7/8 in. O.D.)



**180° YOKE**

**Horizontal Mounting Kit**

180° Adjustment, Includes (2) 1/2 in. Bolts  
Catalog Number: FLB-2  
Shipping Weight: 1.4 lbs.



**90° YOKE**

**Horizontal Mounting Kit**

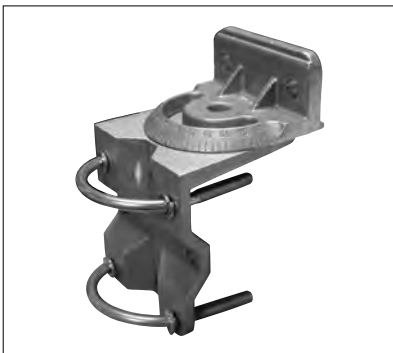
90° Adjustment, Includes (2) 1/2 in. Bolts  
Catalog Number: FLB-2-90  
Shipping Weight: 1.3 lbs.



**45° YOKE**

**Horizontal Mounting Kit**

45° Adjustment, Includes (2) 1/2 in. Bolts  
Catalog Number: FLB-2-45  
Shipping Weight: 1.5 lbs.



**Wall or Pole Mounting Kit**

Wall or Pole Mount, Includes (2) U-Bolts  
Catalog Number: FLB-3  
Shipping Weight: 3.6 lbs.



**Pole Top Mounting Kit**

Gasket Wiring Compartment Adapts Horizontal or Vertical Mounting Yokes, Includes (3) Set Screws,  
Catalog Number: FLB-5 Shipping Weight: 3.2 lbs.