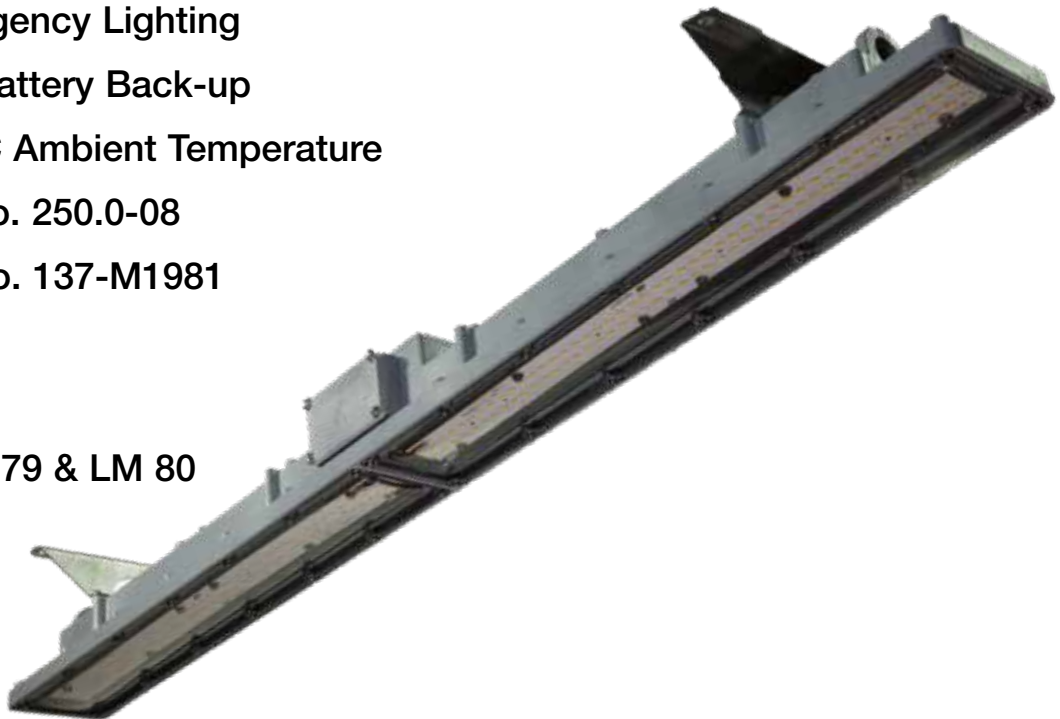


CHL LED

Non-metallic Heavy Duty LED Lighting for Hazardous Locations

- Class I, Division 2, Groups A, B, C & D
- Class II, Division 2, Groups F & G
- Class III
- Class I, Zone 2, Groups IIA, IIB, IIC, Zone 22 (ANSI/UL 844)
- UL 1598A Marine Outside Type
- UL 1598 Wet Locations
- UL 8750 LED Safety
- UL 844 Hazardous Locations
- UL 924 Emergency Lighting
- Emergency Battery Back-up
- -40°C to 65°C Ambient Temperature
- CSA C22.2 No. 250.0-08
- CSA C22.2 No. 137-M1981
- NEMA 4X
- IP66
- Tested to LM 79 & LM 80



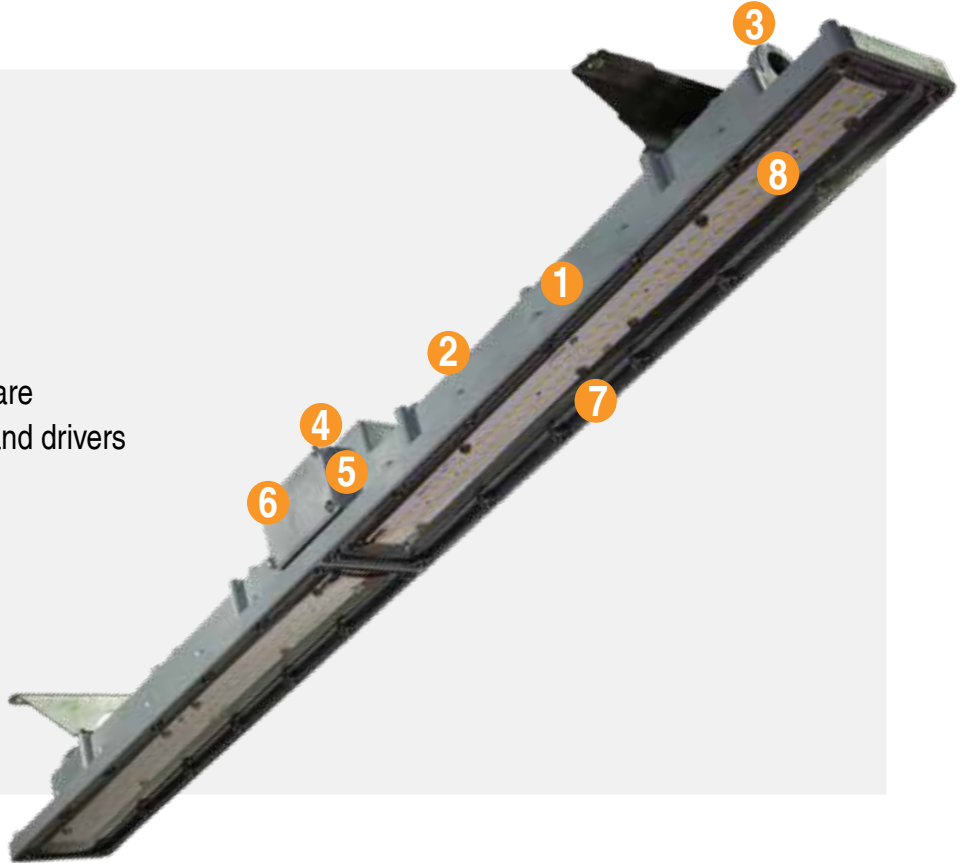
713.943.0340 | azz.com/rigalite

CHL LED

Non-metallic Heavy Duty LED Lighting for Hazardous Locations

Key Features:

- 1 Low-profile, lightweight design
- 2 Heavy-duty, 1/8" thick body
- 3 3/4" NPT hubs
- 4 Three cable entry points
- 5 Toolless, cage-clamp terminal block
- 6 Captive junction box cover and hardware
- 7 Field replaceable LED circuit boards and drivers
- 8 Impact resistant polycarbonate lens



Additional Features:

- Feed-through capable
- Various mounting options
- Emergency battery back-up
- Dimmable driver
- Diffused lens option
- Standard 10kV surge protection
- 5-year warranty

Standard Materials:

- Body: fiberglass reinforced polycarbonate
- Gaskets: one-piece silicone
- Mounting brackets: stainless steel
- Lens: polycarbonate
- Hubs (2): A360 aluminum (less than .4% copper content)
- Hardware: stainless steel

LED
CHL LED

Non-metallic Heavy Duty LED Lighting for Hazardous Locations

Catalog Number Logic

CHL 07 - L - C - 4 - U - XX

① ② ③ ④ ⑤ ⑥ ⑦

① **SERIES**
CHL= Hazardous location and marine

② **LAMP WATTAGE**
04 = 30W (2 foot)
05 = 37W (2 foot)
06 = 40W (2 foot)
07 = 54W (4 foot)
09 = 72W (4 foot)
11 = 80W (4 foot)

③ **LAMP TYPE**
L = LED (4000K CCT)

④ **LENS**
C = Clear
D = Diffused

⑤ **NOMINAL FIXTURE LENGTH**
2 = 2 Foot
4 = 4 Foot

⑥ **VOLTAGE/ FREQUENCY**
U = 120 - 277V 50/60HZ
N = 347/480V 60HZ
A = 120V 60HZ²
B = 220 - 240V 50/60HZ²
C = 277V 60HZ²

⑦ **OPTIONS**
SMK = Shock Mounting Brackets
WMB = Wall Mounting Brackets
ADJ = Adjustable Ceiling/Wall Brackets
SC = Safety Cable
HA = High Ambient 65°C Rated (54W Model Only)¹
EM = Emergency Battery Backup¹ (Reduced Lumens,
45°C max ambient)
FB = Fuse Block²
30 = 3000K CCT
35 = 3500K CCT
50 = 5000K CCT

¹ Not available in 347/480V, type HA

² Specify voltage when option FB is needed. When option FB is selected, one fuse is provided for 120 and 277V. Two fuses are provided for 220-480V. Fuse option not available for marine listed fixtures, or for fixtures listed for use in Canada.

Catalog logic is for explaining catalog number structure only. Not all combinations are possible; consult factory for catalog numbers not listed in charts.

LED CHL LED

Non-metallic Heavy Duty LED Lighting for Hazardous Locations

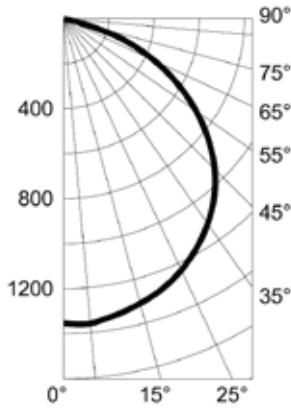
Certification Guide

Model	Length	Wattage	Operating Voltage	Total Lumens	Lumen per Watt	CRI	CCT	Ambient Temperature	Class I, Div. 2, Group A, B, C & D	Supply Wire Suitable Temperature, °C
CHL04LC2U	2 ft	30W	120V - 277V 50/60 Hz, 347V-480V 50/60 Hz	3710	129	84	4132	-40°C < Tamb < 55°C	T4A	90°C
CHL05LC2U	2 ft	37W		4376	141	83	4088	-40°C < Tamb < 55°C	T4A	90°C
CHL06LC2U	2 ft	40W		4863	140	83	4113	-40°C < Tamb < 55°C	T4A	90°C
CHL07LC4U	4 ft	54W		6975	138	83	4121	-40°C < Tamb < 55°C	T4A	90°C
CHL07LC4U-HA	4 ft	40W		4705	115	83	4121	-40°C < Tamb < 65°C	T5	90°C
CHL09LC4U	4 ft	72W		8848	148	84	4105	-40°C < Tamb < 55°C	T4A	90°C
CHL11LC4U	4 ft	80W		9884	147	84	4094	-40°C < Tamb < 55°C	T4A	90°C

Candlepower Distribution

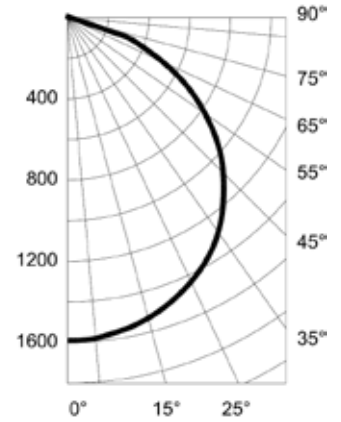
CHL04LC2UXX

Deg.	0	30	60	90
0	1352.8	1352.8	1352.8	1352.8
10	1328.6	1321.4	1330.7	1335
20	1264.1	1261.6	1270.6	1278.3
30	1160	1159.8	1167.2	1176.7
40	1006.6	1015.5	1025.1	1037.2
50	813.9	826.9	835.1	835.3
60	568.7	596.1	585.4	585.2
70	288.9	302.3	289.7	264.9
80	58.1	49.2	1.1	0.3
90	0	0	0	0.1



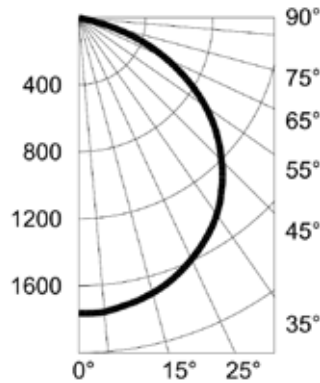
CHL05LC2UXX

Deg.	0	30	60	90
0	1588.5	1588.5	1588.5	1588.5
10	1554.6	1546.4	1554.3	1563.7
20	1476.3	1466.4	1477.2	1489.3
30	1350.1	1342.9	1354.9	1370.5
40	1170.8	1167.2	1180.9	1189.3
50	938.2	940.2	947.3	963.4
60	648.8	647.3	656.4	678.9
70	321.9	318.7	332	344.2
80	58.5	61.2	8.7	3
90	0.1	0.1	0.1	0.1



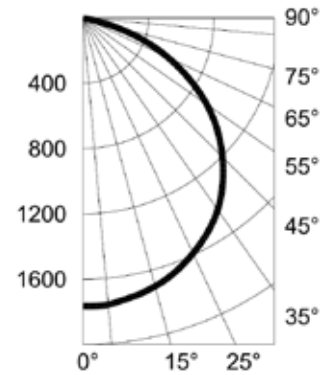
CHL06LC2UXX

Deg.	0	30	60	90
0	1763.7	1763.7	1763.7	1763.7
10	1722.8	1717.5	1728.3	1736.1
20	1634.8	1632.6	1642.8	1653.9
30	1495.4	1493.4	1504.7	1519.3
40	1297.5	1300.7	1319.1	1325
50	1047.1	1048.2	1064.3	1070.8
60	720.4	731	750	751.8
70	353.8	371.7	385.1	376.6
80	67.5	67.2	12.5	3.8
90	0.1	0.1	0.2	0.1



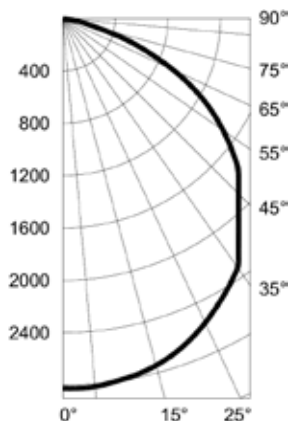
CHL07LC4UXX

Deg.	0	30	60	90
0	2224.3	2224.3	2224.3	2224.3
10	2224.5	2207.7	2199.3	2191
20	2232.3	2192.2	2118	2103.2
30	2225.3	2154.9	1988	1923.7
40	2181.8	2057	1772.4	1684
50	1850.9	1807	1470.9	1367.6
60	1311.7	1292.4	1068.9	965.5
70	688.2	700.2	530.9	439.7
80	161.1	125.6	106.4	25
90	0.2	0.1	0.1	0.1



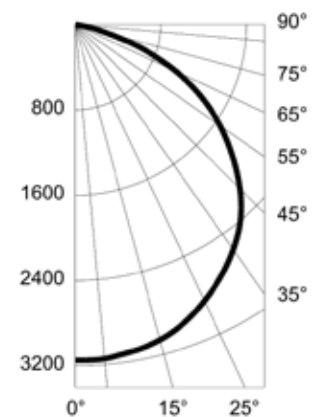
CHL09LC2UXX

Deg.	0	30	60	90
0	2824.8	2824.8	2824.8	2824.8
10	2822.7	2812.9	2797.5	2782.8
20	2825.2	2781.2	2689.3	2669.9
30	2826.8	2733.1	2517.6	2447
40	2773.6	2604	2245.6	2149.5
50	2339.1	2282.9	1848	1719.6
60	1675.4	1638.5	1335	1232.1
70	897.1	858.9	673.2	609.1
80	209.2	174	91.5	52
90	0.3	0.2	0.1	0.1



CHL11LC4UXX

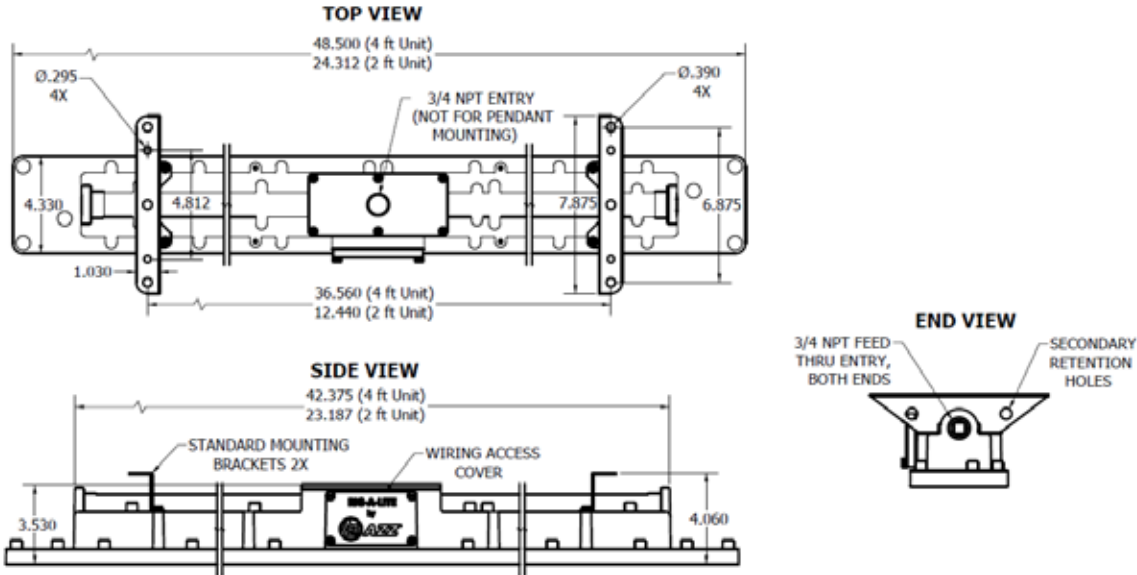
Deg.	0	30	60	90
0	3147.3	3147.3	3147.3	3147.3
10	3150.9	3133.4	3118	3103.2
20	3162	3108.3	2999.7	2977.8
30	3159	3053.7	2815.1	2725.9
40	3092.7	2913.9	2510.5	2398.5
50	2610.2	2567.7	2078.9	1919.1
60	1854.4	1830.7	1488.3	1364.6
70	983.7	948.2	769.1	683.6
80	235.2	192.9	126.8	69
90	0.6	0.3	0.1	0.1



LED CHL LED

Non-metallic Heavy Duty LED Lighting for Hazardous Locations

Fixture Dimensions (inches)



CHL SERIES	Dimensions (inches)	Boxed Weight	Shipping Volume
	A		
4 ft. models	48.00	18 lbs.	1.47 cu. ft.
2 ft. models	24.00	10 lbs.	.76 cu. ft.

Accessories



Shock Mounting Brackets

Catalog Number: 53120
 Shipping Weight: 2 lbs.



Adjustable Ceiling/Wall Brackets

Catalog Number: 53121
 Shipping Weight: 2 lbs.



Wall Mounting Brackets

Catalog Number: 53122
 Shipping Weight: 3 lbs.



Safety Cable

Catalog Number: 10128R
 Shipping Weight: 1 lb.