

CVP SERIES

Non-Metallic Lighting for Hazardous and Severe Environments

- Class I, Division 2, Groups A, B, C & D
- Zone 2, Group IIA, IIB, IIC
- UL 844 Hazardous Locations
- UL 1598A Marine Outside Type
- CUL

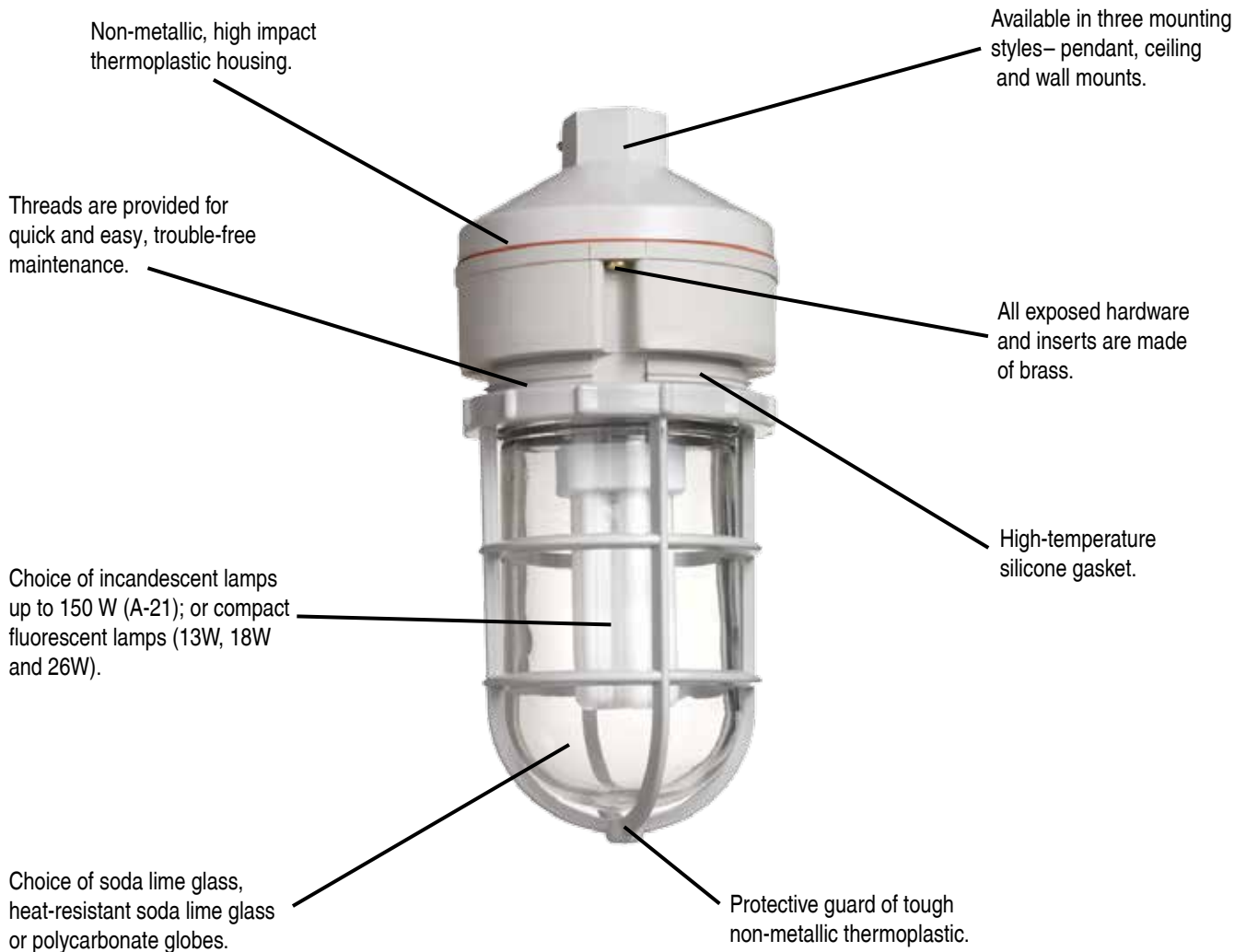


713.943.0340 | azz.com/rigalite

CVP SERIES

Non-Metallic Lighting for Hazardous and Severe Environments

Designed to meet the rugged demands of highly corrosive industrial applications, the CVP Series is non-metallic, vapor-tight and rated for Class I, Division 2 hazardous areas. Its rugged construction precludes contamination by dirt, moisture and chemicals and is suitable for indoor and outdoor applications.



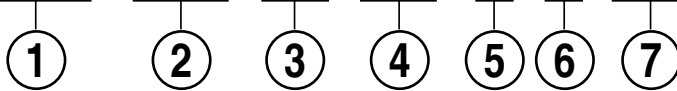
- Molded-in, non-fading gray finish (standard) or black or white available as an option.

CVP Series

Hazardous Locations • Class I, Division 2 • UL 844 • UL 1598A • Wet Locations • CUL

Catalog Number Logic

CVP 15-I-24-HR-G-C-XX



1

BASIC SERIES

CVP Non-Metallic Series

(i)* CVPH = Class I, Division 2, Groups A, B, C & D
 UL 844 Hazardous Locations
 UL 1598A Marine Outside Type
 NEMA 3, 4 & 4X

(ii)* CVP = Marine
 UL 1598A Marine Outside Type
 NEMA 3, 4 & 4X

(iii) CVPD = Wet and Damp Locations
 UL 1598 Any Orientation

Intended for Commercial and Industrial Uses Only

* Must be ordered with the HR globe option

2

LAMP WATTAGE AND TYPE

- 13F = 13 Watt Comp. Fluor. (GX23-2 Base/120V)¹
- 13F = 13 Watt Comp. Fluor. (GX24q-1 Base/277V)¹
- 18F = 18 Watt Comp. Fluor. (G24q-2 Base)²
- 26F = 26 Watt Comp. Fluor. (GX24q-3 Base)³
- 15I = Up to 150 Watt Incandescent (Medium Base)⁴

3

BALLAST VOLTAGE

- 12 = 120V 60 HZ
- 22 = 220V 50 HZ⁵
- 24 = 240V 50-60 HZ⁴
- 27 = 277V 60 HZ

Starting Temperature with Electronic Ballast is 0°C (32°F)

4

GLOBE

- G = Soda Lime Clear Glass (Damp Location Only)
- HR = Heat Resistant Soda Lime Glass
- P = Polycarbonate Prismatic Globe (75 Watt Max.)⁶
- CP = Clear Polycarbonate (75 Watt Max.)⁶
- GP = Glass Prismatic (available with CVPD only)
 Colored Globes Available with CVPD Only
 Other Globes Available - Consult Factory

5

GUARD

G = Guard⁶

6

MOUNTING STYLE

- P = Pendant
- W = Wall Mount with Box
- C = Ceiling

7

OPTIONS⁷

- G = Grounding Grid
 (Standard with CVP & CVPH Series Fixtures)
- DR = Polycarbonate Prismatic Dome Reflector

¹ Philips PLC 10mm/13/USA, OSRAM/Sylvania Dulux D(CF-13CC) or equal lamps.
 for 120V Philips PLC 13W/4P, OSRAM CF13DD/E or equal for 277V.

² Philips PLC 18, OSRAM/Sylvania Dulux (CF-18DD) or equal lamps.

³ PLT-26. Dulux T-26 or equal lamps.

⁴ A-21 Lamps. Can only be ordered as 240V but can be wired from 110-240V

⁵ 220/50HZ available for 26 watt fluorescent fixtures.

⁶ Guard not available with polycarbonate globe.

⁷ Consult factory for pricing.

Catalog logic is for explaining catalog number structure only. Not all combinations are possible; consult factory for catalog numbers not listed in charts.




COMPACT FLUORESCENT • INCANDESCENT

CVP Series

Hazardous Locations • Class I, Division 2 • UL 844 • UL 1598A • Wet Locations • CUL



- Class I, Division 2, Groups A, B, C and D
- Non-Metallic
- Enclosed and gasketed
- Glass or polycarbonate globe
- Zone 2, Groups IIA, IIB and IIC
- CUL
- NEMA 3, 4 & 4X
- UL 1598A Marine Outside Type
- UL 844 Hazardous Locations
- Suitable for indoor or outdoor use
- Suitable for hose-down
- Compact fluorescent or incandescent available
- Suitable for commercial and industrial uses only

Mounting Style	Lamp Type ^{①②}	Lamp Watt	Conduit Size (In.)	Catalog Number ^{③④}			Shipping Weight (Lbs.)
				Marine UL 1598A	Hazardous Locations UL 844	Wet Locations UL 1598	
Pendant Mount 	Incandescent	150	3/4	CVP15-I-24-HR-G-P	CVPH15-I-24-HR-G-P	CVPD15-I-24-GG-P	2.2
	Compact Fluor.	13	3/4	CVP13-F-12-HR-G-P	CVPH13-F-12-HR-G-P	CVPD13-F-12-GG-P	3.0
	Compact Fluor.	18	3/4	CVP18-F-12-HR-G-P	CVPH18-F-12-HR-G-P	CVPD18-F-12-GG-P	3.0
	Compact Fluor.	26	3/4	CVP26-F-12-HR-G-P	CVPH26-F-12-HR-G-P	CVPD26-F-12-GG-P	3.0
Ceiling Mount 	Incandescent	150	3/4	CVP15-I-24-HR-G-C	CVPH15-I-24-HR-G-C	CVPD15-I-24-GG-C	2.3
	Compact Fluor.	13	3/4	CVP13-F-12-HR-G-C	CVPH13-F-12-HR-G-C	CVPD13-F-12-GG-C	2.9
	Compact Fluor.	18	3/4	CVP18-F-12-HR-G-C	CVPH18-F-12-HR-G-C	CVPD18-F-12-GG-C	3.0
	Compact Fluor.	26	3/4	CVP26-F-12-HR-G-C	CVPH26-F-12-HR-G-C	CVPD26-F-12-GG-C	3.3
Wall Mount 	Incandescent	150	3/4	CVP15-I-24-HR-G-W	CVPH15-I-24-HR-G-W	CVPD15-I-24-GG-W	3.1
	Compact Fluor.	13	3/4	CVP13-F-12-HR-G-W	CVPH13-F-12-HR-G-W	CVPD13-F-12-GG-W	3.2
	Compact Fluor.	18	3/4	CVP18-F-12-HR-G-W	CVPH18-F-12-HR-G-W	CVPD18-F-12-GG-W	3.3
	Compact Fluor.	26	3/4	CVP26-F-12-HR-G-W	CVPH26-F-12-HR-G-W	CVPD26-F-12-GG-W	3.4

① Incandescent lamps not furnished with the fixture.

② Compact fluorescent lamps furnished with the fixture.

③ 120V 13 Watt compact fluorescent fixture furnished with magnetic ballast.

④ 13 Watt/277V 18 & 26 Watt compact fluorescent fixture furnished with high power factor electronic ballast.

CVP Series

Hazardous Locations • Class I, Division 2 • UL 844 • UL 1598A • Wet Locations • CUL

Coefficients of Utilization

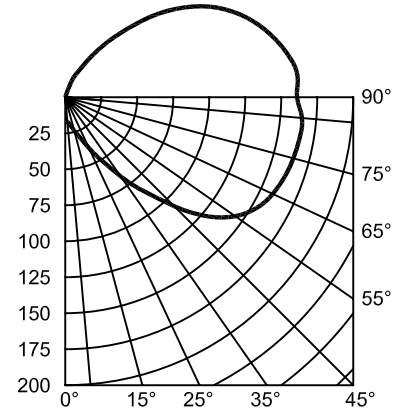
CVP26FP

% Effective Ceiling Cavity Reflectance rcc	80			50			10		
	50	30	10	50	30	10	50	30	10
Room Cavity Ratio RCR	Effective Floor Cavity Reflectance 20%								
0	.87	.87	.87	.69	.69	.69	.49	.49	.49
1	.69	.63	.59	.53	.49	.46	.35	.33	.31
2	.57	.50	.44	.43	.38	.34	.27	.24	.22
3	.48	.40	.34	.36	.31	.26	.22	.19	.16
4	.42	.33	.27	.31	.25	.21	.19	.15	.12
5	.36	.28	.22	.27	.21	.17	.17	.13	.10
6	.32	.24	.18	.24	.18	.14	.15	.11	.8
7	.28	.21	.16	.21	.16	.12	.13	.9	.7
8	.26	.18	.13	.19	.14	.10	.12	.8	.6
9	.23	.16	.12	.18	.12	.9	.11	.7	.5
10	.21	.14	.10	.16	.11	.8	.10	.7	.4

Candlepower Distribution

Deg.	Norm
5	17
15	24
25	39
35	67
45	107
55	144
65	159
75	164
85	165
90	161
95	162
105	152
115	135
125	110
135	75
145	41
155	18
165	1

Photometric Data



Certification Guide

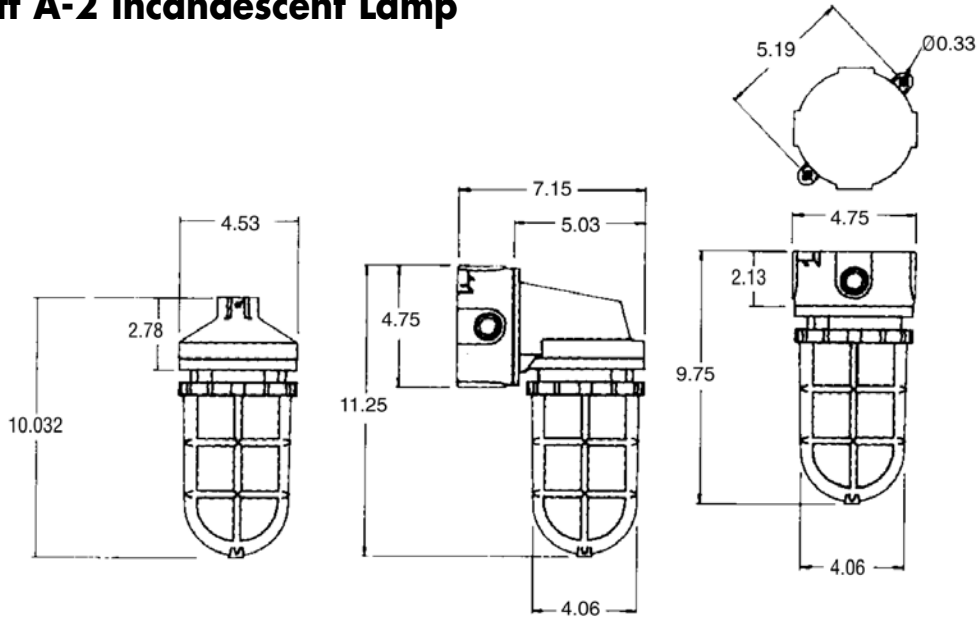
Model	Ambient Temperature °C	CLASS I, DIVISION 2 (When Used With)		Supply Wire Suitable Temp °C
		Globe	Reflector	
AVPH15I, BVPH15I, CVPH15I	40	T2C	T2B	90
AVPH26F, BVPH26F, CVPH26F	40	T3C	T3C	90
AVPH32F, BVPH32F	40	T3	T3A	90

CVP Series

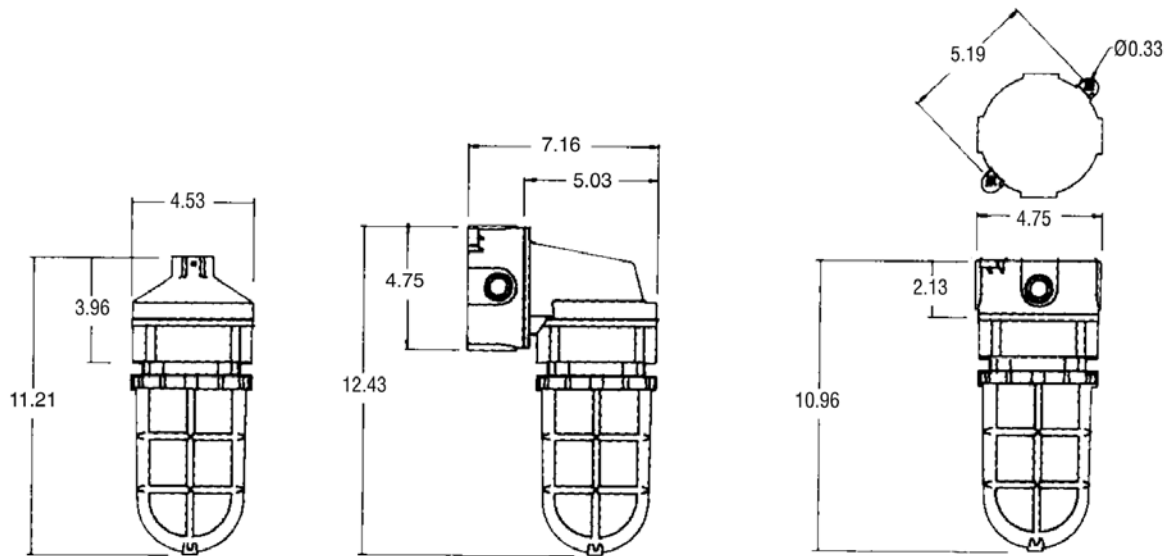
Hazardous Locations • Class I, Division 2 • UL 844 • UL 1598A • Wet Locations • CUL

Fixture Dimensions (inches)

150 Watt A-2 Incandescent Lamp



13, 18, 26 Watt Compact Fluorescent Lamp with Glass Globe

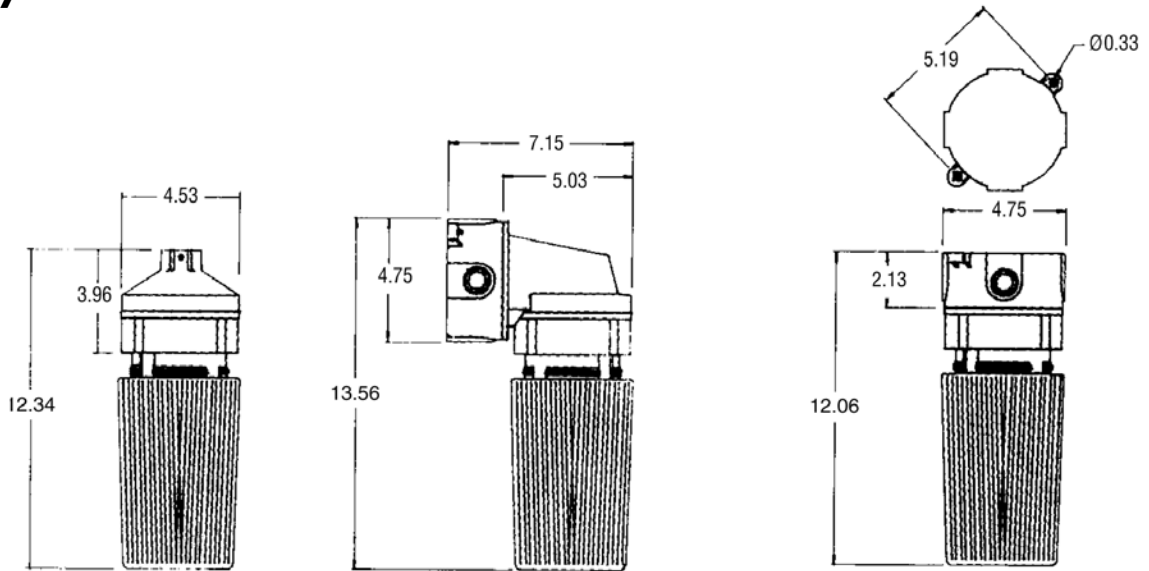


CVP Series

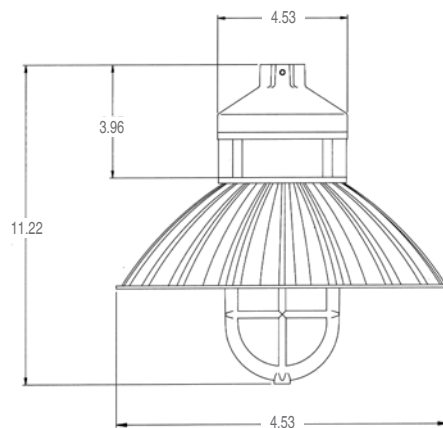
Hazardous Locations • Class I, Division 2 • UL 844 • UL 1598A • Wet Locations • CUL

Fixture Dimensions (inches)

26 Watt Compact Fluorescent Lamp with Polycarbonate Globe



Prismatic Polycarbonate with Dome Reflector*







* Cannot be used with wall mount unit or polycarbonate globe.

CVP Series




Hazardous Locations • Class I, Division 2 • UL 844 • UL 1598A • Wet Locations • CUL

Accessories

Globes

	Type	Lamp Size	Color	Thread Diameter	Catalog Number
	Soda Lime Glass	150W	Clear	3-5/16 in.	VGL100 ¹
	Heat Treated Soda Lime Glass	150W	Clear	3-5/16 in.	VGL100HR
	Polycarbonate Prismatic	75W	Clear	3-5/16 in.	VGL100PPG ¹
	Glass Prismatic	150W	Clear	3-5/16 in.	VGL100PRISM

Guard and Grid

	Description	Catalog Number
	Non-Metallic Guard	59030
	Grounding Grid	26563
	Polycarbonate Prismatic Dome Reflector ²	CVP100DR

¹To order colored globes, add suffix A (Amber), B (Blue), R (Red) or G (Green) to catalog number.

²Requires guard catalog number: 59030 (Not available with wall mount fixtures).

Colored globes available with CVPD only.