

LHFLJ HIGH/MID BAY

LED Area Lighting for Hazardous Locations

- Class I, Division 2, Groups A, B, C & D
- Class II, Divisions 1 & 2, Groups E, F & G
- Class III
- Zone 2, Groups IIA, IIB & IIC
- UL 844 Hazardous Locations
- UL 1598A Marine Outside Type
- UL 1598 Wet Locations
- UL 8750 LED Safety
- Emergency Battery Backup
- 65°C Ambient Temperature (Class I, Division 2)
- 55°C Ambient Temperature (Class II & III)
- CAN/CSA C22.2 No. 250.0-08
- CAN/CSA C22.2 No. 137-M1981
- **IECEX**
 - Ex nA nc IIC T5 Gc
 - Ex tc IIIC T100°C Dc
 - 20°C ≤ Ta ≤ 55°C, IP66
 - Certificate: IECEX ETL 14.0003X
- **ATEX**
 - ⊕ II 3 GD
 - Ex nA nc IIC T5 Gc
 - Ex tc IIIC T100°C Dc
 - 20°C ≤ Ta ≤ 55°C, IP66
 - Certificate: ITS14ATEX47946X
- DLC Listed
- ABS Type Approved
- IP66
- NEMA 4X
- Tested to LM79, LM80 Standards



LHFLJ HIGH/MID BAY

LED Area Lighting for Hazardous Locations

Key Features:

- 1 Compact, space-saving design
- 2 High-performance precision optics system
- 3 Driver access plate features stainless steel safety retention chain and captive hardware
- 4 Field replaceable LED circuit boards and drivers with quick disconnects
- 5 Approved for high-ambient applications, up to 65° C
- 6 Two (2) permanent safety cable retention points



Additional Features:

- Supplemental 10kV surge protection
- Dual hub entries, feed-through capable
- Optional polycarbonate lens
- Terminal block
- Optional emergency battery back-up
- 5-year warranty

Standard Materials:

- Body: A360 aluminum (less than .4% copper content) with baked-on gray epoxy finish
- Gaskets: Silicone
- Lens: Tempered Glass
- Hardware: Stainless Steel

LED

LHFLJ High/Mid Bay

LED Area Lighting for Hazardous Locations

Catalog Number Logic

LHFLJ-15-L-U-TP-76-XX

① ② ③ ④ ⑤ ⑥ ⑦

①

SERIES

LHFLJ = N. American Standards
EXLHFLJ = IEC, ATEX Standards

②

INPUT WATTS

07 = 70W
15 = 130W

③

LAMP TYPE

L = LED (5,000K CCT)

④

VOLTAGE/FREQUENCY

U = 120 thru 277V 50/60 HZ
N = 347/480V 60 HZ
12 = 120V 60 HZ¹
22 = 220V 60 HZ¹
24 = 240V 60 HZ¹
27 = 277V 60 HZ¹
34 = 347V 60 HZ¹
48 = 480V 60 HZ¹

⑤

MOUNTING

TP = Universal Mount (Trunion/Pendant)

⑥

BEAM DISTRIBUTION

76 = 7H x 6V

⑦

OPTIONS²

EB = Eye Bolt (Safety Cable Attachment Point)
EM = Emergency Battery Backup⁴
FB1 = Single Fuse Block^{1,3}
FB2 = Double Fuse Block^{1,3}
PC = Polycarbonate Lens (for Class I & II, Div. 2)
40 = 4000K CCT

¹ Voltages for fuse block and surge protector.

² Consult factory for pricing.

³ Not for Marine application.

LED LHFLJ High/Mid Bay

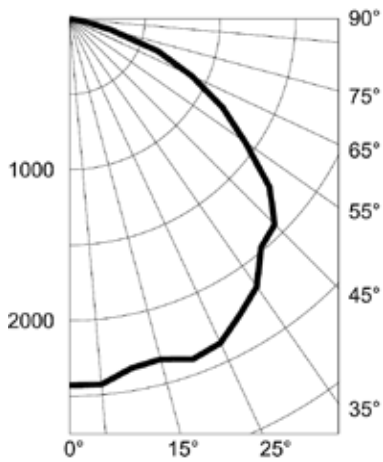
LED Area Lighting for Hazardous Locations

Certification Guide

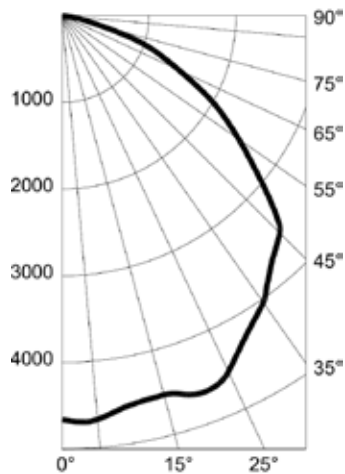
Model	Mount	Wattage	Operating Voltage	Total Lumens	Lumens per Watt	CRI	CCT	Ambient Temperature	Class 1, Div. 2 Group A, B, C & D	Class II Div. 1 Group E, F & G Class III	Simul Presence	IECEX ATEX Listed	Supply Wire Suitable Temperature, °C	Shipping* Weight (Lbs.)
LHFLJ07LUTP76	Universal	70W	120V - 277V 50/60 Hz	6862	108	75	4884	-20°C < Tamb < 55°C	T5	T4A	T4A	-	90°C	30
LHFLJ07LNTP76	Universal	70W	347V/480V 60Hz	6862	108	75	4884	-20°C < Tamb < 55°C	T5	T4A	T4A	-	90°C	30
LHFLJ15LUTP76	Universal	130W	120V - 277V 50/60 Hz	13020	104	75	4918	-20°C < Tamb < 55°C	T5	T4A	T4A	-	90°C	32
LHFLJ15LNTP76	Universal	130W	347V/480V 60Hz	13020	104	75	4918	-20°C < Tamb < 55°C	T5	T4A	T4A	-	90°C	32
LHFLJ07LUTP76	Universal	70W	120V - 277V 50/60 Hz	6862	108	75	4884	-20°C < Tamb < 65°C	T5	-	-	-	105°C	30
LHFLJ07LNTP76	Universal	70W	347V/480V 60Hz	6862	108	75	4884	-20°C < Tamb < 65°C	T5	-	-	-	105°C	30
LHFLJ15LUTP76	Universal	130W	120V - 277V 50/60 Hz	13020	104	75	4918	-20°C < Tamb < 65°C	T5	-	-	-	105°C	32
LHFLJ15LNTP76	Universal	130W	347V/480V 60Hz	13020	104	75	4918	-20°C < Tamb < 65°C	T5	-	-	-	105°C	32
EXLHFLJ07LUTP76	Universal	70W	120V - 277V 50/60 Hz	6862	108	75	4884	-20°C < Tamb < 55°C	-	-	-	Yes	90°C	30
EXLHFLJ15LUTP76	Universal	130W	120V - 277V 50/60 Hz	13020	104	75	4918	-20°C < Tamb < 55°C	-	-	-	Yes	90°C	32

Photometric Data

LHFLJ07LUTP76XX



LHFLJ15LUTP76XX

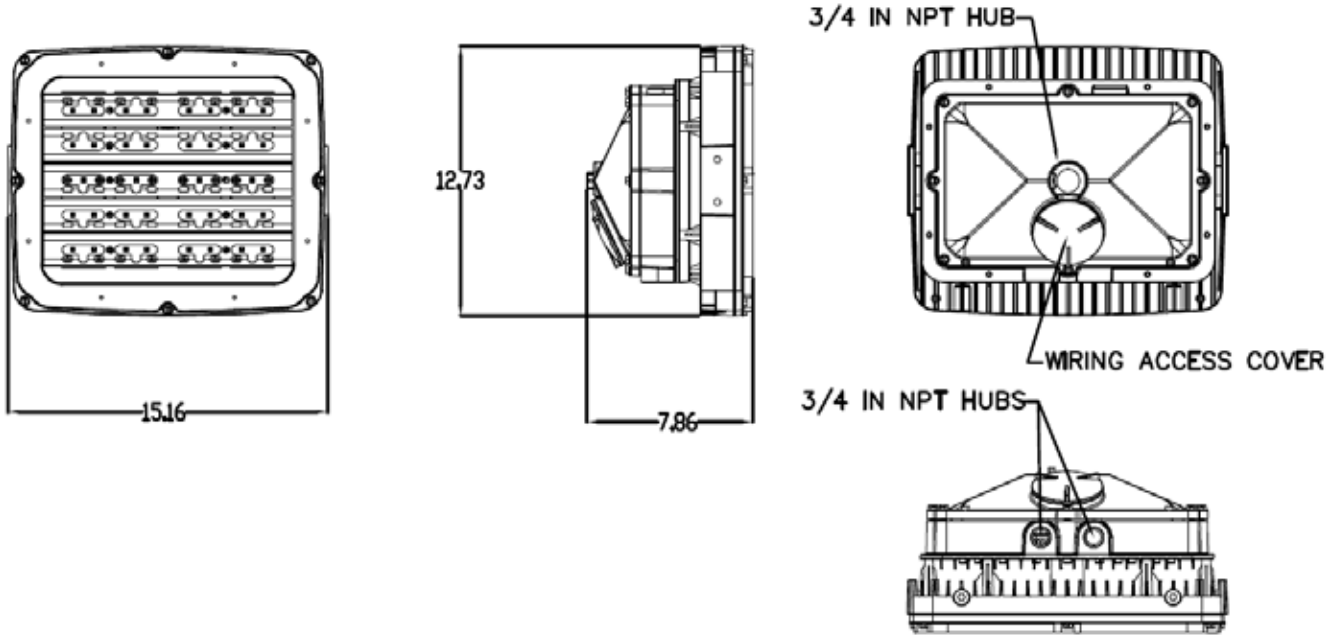


LED
LHFLJ High/Mid Bay

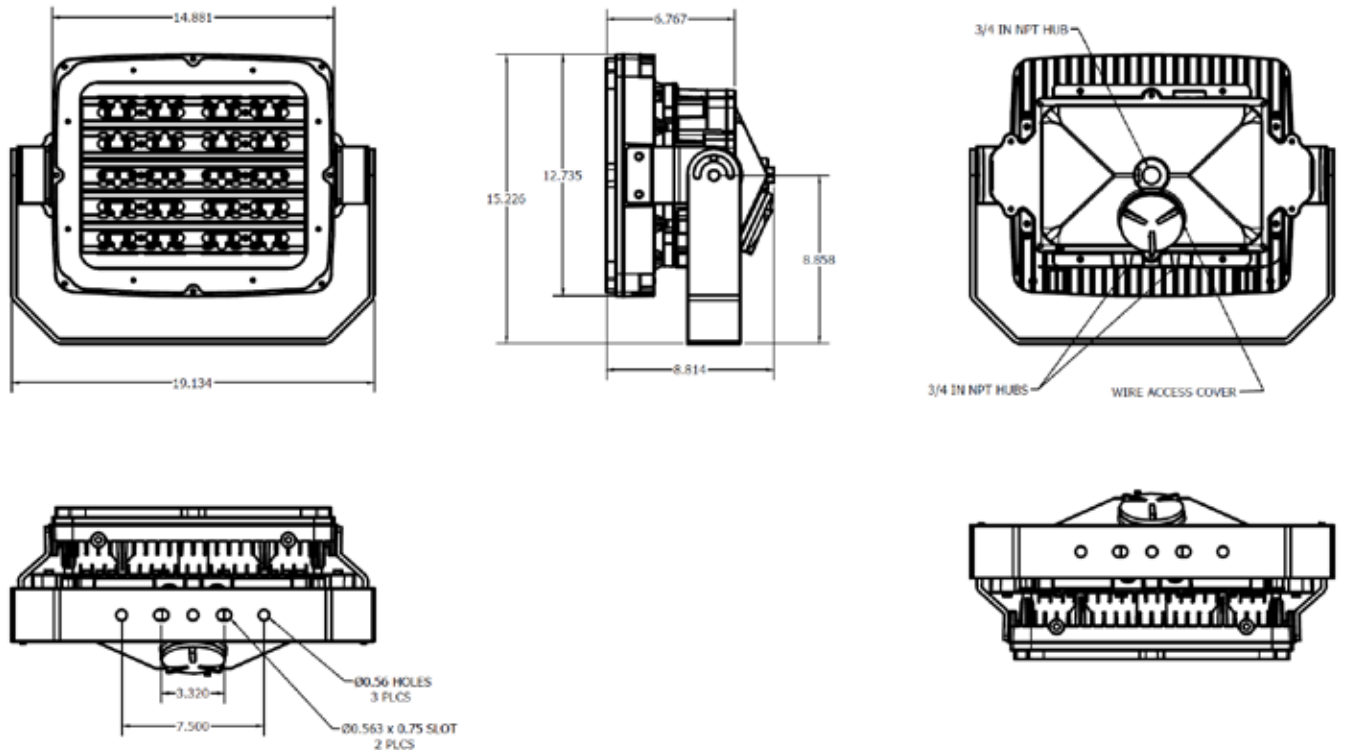
LED Area Lighting for Hazardous Locations

Fixture Dimensions (inches)

LHFLJ



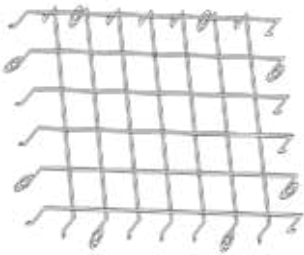
LHFLJEM




LED
LHFLJ High/Mid Bay

LED Flood Lighting for Hazardous Locations

Accessories

Guard	Catalog Number
	86109

Visor	Catalog Number
	86037P

SAFETY CABLE	Catalog No.	Shipping Weight (Lbs.)
	10128R	1.0