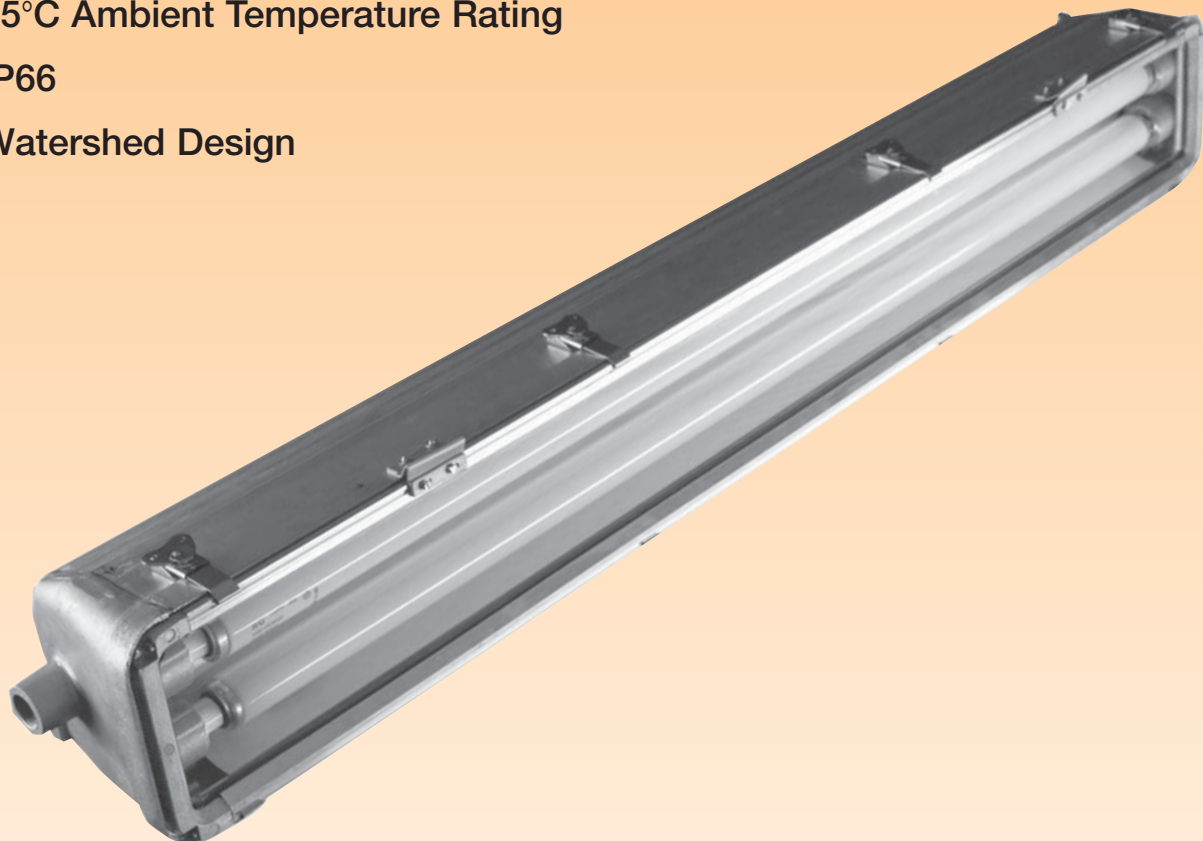


MAR2 SERIES

Fluorescent Lighting for Hazardous Locations

- Class I, Division 2, Groups A, B, C & D
- UL 844 Hazardous Locations
- UL 924 Emergency Lighting
- UL 1598A Marine Outside Type
- CSA Certified
- Zone 2, Groups IIA, IIB, IIC
- 55°C Ambient Temperature Rating
- IP66
- Watershed Design

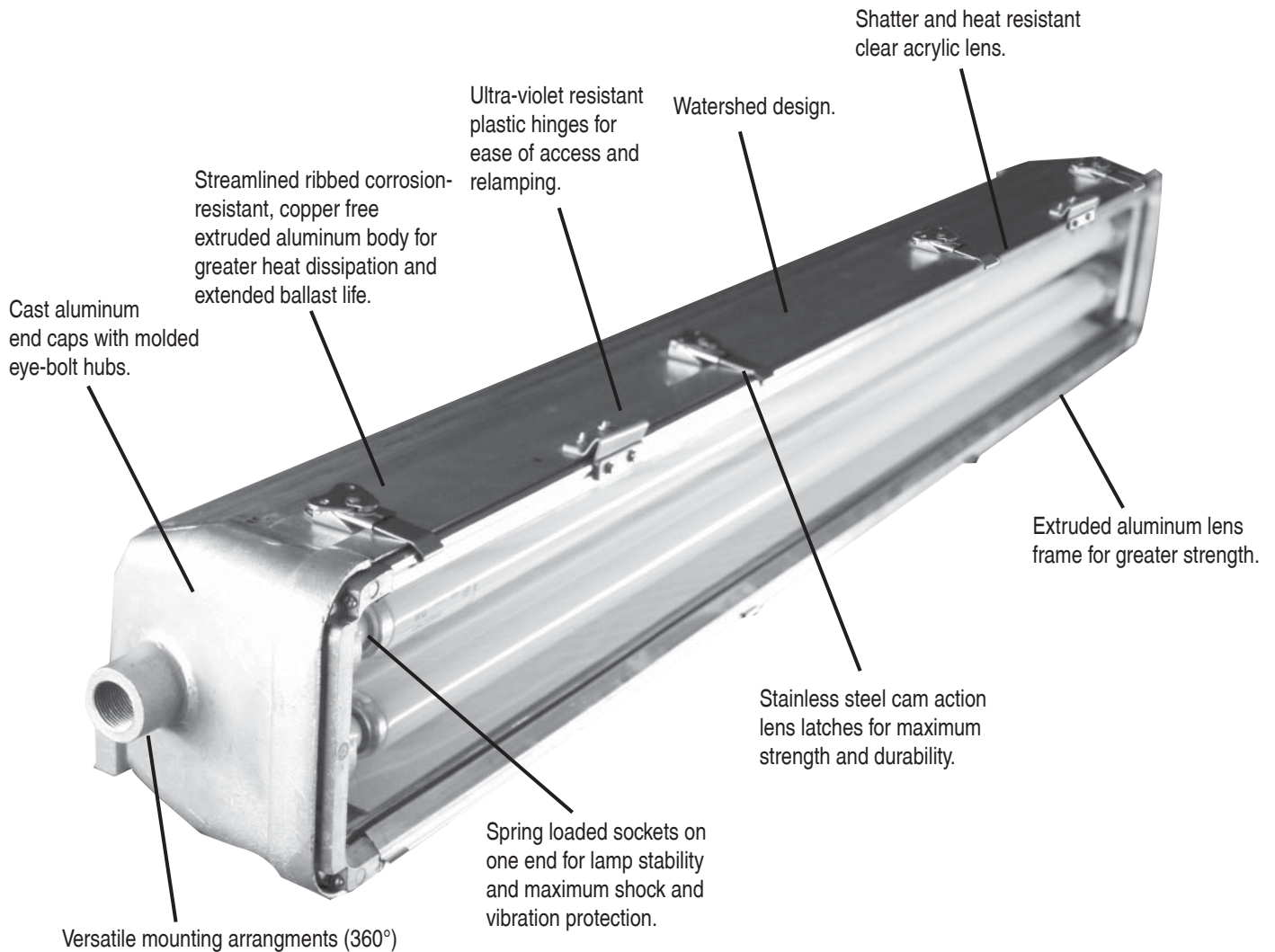


AZZ | R-A-L™
RIG-A-LITE

MAR2 SERIES

Fluorescent Lighting for Hazardous Locations

Each MAR 2 Series fixture is individually tested for functional and dielectrical strength at the factory to assure quality and reliability. This heavy-duty fixture arrives completely assembled.



- Convenient access to wiring chamber and thermally protected class P ballast
- Marine Duty testing exceeds NEMA 4X requirements for hose-down pressure and corrosion testing
- Seismic testing by Structural Dynamics Research Corporation (full scale seismic fragility qualification)
Tested in frequencies of 1 to 31.6 hertz in 3-plane axis with maximum G force of 18.67 achieved

FLUORESCENT MAR2 Series

Hazardous Locations • Class I, Division 2 • UL 844 • UL 1598A Marine Outside Type • CSA Certified • Wet Locations

Catalog Number Logic

MAR2 800-2-A-XX

①

①

BASIC SERIES

MAR2 Fluorescent Fixture
Class I, Division 2, Groups A, B, C & D
UL 844 Hazardous Locations
UL 1598A Marine Outside Type
CSA Certified
Zone 2, Groups IIA, IIB & IIC
55°C Ambient Temperature Rating

②

LAMP CURRENT/LAMP WATTAGE

800 = 800mA, 60/35 Watt
430 = 430mA, 34/20 Watt (export only)
425 = 425mA, 40/20 Watt (Slimline)
265 = 265mA, 32/17 Watt (T8 Lamps)

③

NOMINAL FIXTURE LENGTH

2 = 2 Foot
4 = 4 Foot

②

④

VOLTAGE/FREQUENCY

E = 12V DC (425mA Only)
F = 24V DC (425mA Only)
G = 32V DC (425mA Only)
H = 347V 60 HZ
U = 120 thru 277V 50/60 HZ

⑤

OPTIONS¹

TW = End Mounting/Thru Wire
Cable Installations Only
F = Single Fuse²
R = Radio Interference Filter
L = Lamps
EM = Emergency Battery Backup (Max 50°C)³
TM = Tempered Glass
HL = Hi-Lumen Ballast (T8 Only)
EB = Eye Bolt Only

¹Consult factory for pricing.

²Fuse option not available for marine listed fixtures.

³Fixture housings with EM option are furnished with baked-on gray epoxy finish

Catalog logic is for explaining catalog number structure only. Not all combinations are possible; consult factory for catalog numbers not listed in charts.

FLUORESCENT MAR2 Series

Hazardous Locations • Class I, Division 2 • UL 844 • UL 1598A Marine Outside Type • CSA Certified • Wet Locations



- Class I, Division 2, Groups A, B, C and D
- UL 1598A Marine Outside Type
- UL 844 Hazardous Locations
- CSA Certified
- Zone 2, Groups IIA, IIB and IIC
- 50°C Ambient on EM Models
- 55°C Ambient Temperature Rating
- For drilling rig, marine and industrial lighting hazardous locations
- Corrosion resistant, low copper content aluminum two lamp fixture
- Available in 265, 425, 430, or 800 mA
- Versatile mounting arrangements, (360°)
- Easy access to fluorescent ballast and internal wiring
- Streamlined design gives eye appeal and ruggedness
- Designed to withstand strong vibration
- Watershed design
- Stainless steel cam action lens latches

(Lamps not included)

	Description	Hub Size (inches)	Voltage	Catalog Number*
Four Foot Fixture	32 Watt, Instant Start Medium Bi-Pin, T8, 265mA, 48"	3/4	120-277V 50/60 HZ	MAR2265-4-U
	34 Watt, Rapid Start Medium Bi-Pin, T12 430mA, 48" (export only)	3/4	120-277V 50/60 HZ	MAR2430-4-U
	40 Watt, Instant Start F48 T12, Slimline Single Pin 425mA, 48"	3/4	12V DC	MAR2425-4-E
			24V DC	MAR2425-4-F
			32V DC	MAR2425-4-G
60 Watt, Rapid Start High Output T12, Recessed Double Contact 800mA, 48"	3/4	120-277V 50/60 HZ	MAR2800-4-U	
Two Foot Fixture	17 Watt, Instant Start, Medium Bi-Pin, T8, 265mA, 24"	3/4	120-277V 50/60 HZ	MAR2265-2-U
	20 Watt, Rapid Start Medium Bi-Pin, T12 430mA, 24" (export only)	3/4	120-277V 50/60 HZ	MAR2430-4-U
	40 Watt, Instant Start F48 T12, Slimline Single Pin 425mA, 48"	3/4	12V DC	MAR2425-2-E
			24V DC	MAR2425-2-F
			32V DC	MAR2425-2-G
35 Watt, Rapid Start High Output, T12, Recessed Double Contact, 800mA, 24"	3/4	120-277V 50/60 HZ	MAR2800-2-U	

*Add suffix "TW" for wire thru models

FLUORESCENT MAR2 Series

Hazardous Locations • Class I, Division 2 • UL 844 • UL 1598A Marine Outside Type • CSA Certified • Wet Locations

Certification Guide

Model	Ambient Temperature °C	Class I, Division 2 Groups A, B, C & D	Supply Wire Suitable Temperature °C
MAR 430, 800	55	T4A	90
MAR 425	55	T4A	90
MAR 265	55	T4A	90

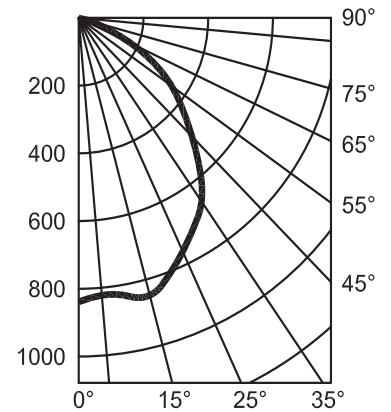
Coefficients of Utilization MAR22654U

% Effective Ceiling Cavity Reflectance r_{cc}	80			50			10		
	50	30	10	50	30	10	50	30	10
% Wall Reflectance r_w	20% Effective Floor Cavity Reflectance								
Room Cavity Ratio RCR									
1	.37	.35	.34	.35	.33	.32	.32	.31	.30
2	.32	.29	.27	.30	.28	.26	.28	.26	.25
3	.28	.25	.22	.26	.24	.22	.24	.23	.21
4	.25	.21	.19	.23	.20	.18	.21	.20	.18
5	.22	.18	.16	.21	.18	.16	.19	.17	.15
6	.19	.16	.14	.18	.16	.14	.17	.15	.13
7	.17	.14	.12	.17	.14	.12	.16	.13	.12
8	.16	.13	.10	.15	.12	.10	.14	.12	.10
9	.14	.11	.9	.14	.11	.9	.13	.11	.9
10	.13	.10	.8	.13	.10	.8	.12	.10	.8

Candlepower Distribution

Deg.	Parl.	22.5	45	67.5	Norm
0	838	838	838	838	838
5	822	822	822	822	822
15	843	844	847	848	848
25	759	762	765	763	761
35	669	673	673	665	662
45	512	514	508	499	495
55	386	384	373	357	351
65	228	224	207	188	180
75	83	79	621	50	46
85	5	5	5	4	4
90	0	0	0	0	0

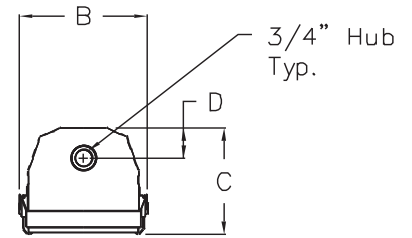
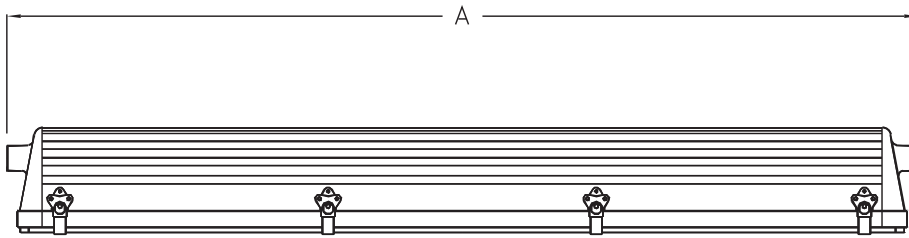
Fluorescent Photometrics



FLUORESCENT MAR2 Series

Hazardous Locations • Class I, Division 2 • UL 844 • UL 1598A Marine Outside Type • CSA Certified • Wet Locations

Fixture Dimensions (inches)



MAR 2 SERIES	Dimensions (inches)				Boxed Weight	Shipping Volume (Boxed Fixtures)
	A	B	C	D		
4 ft. models	52.13	7.38	6.19	1.81	36 lbs.	2.0 cu. ft.
2 ft. models	28.13	7.38	6.19	1.81	26 lbs.	1.0 cu. ft.

Accessories



Straight Mounting Kit

Catalog Number: 53033
Shipping Weight: 5 lbs.



Offset Mounting Kit

Catalog Number: 53032
Shipping Weight: 5 lbs.



Safety Cable

Catalog Number: 10128R
Shipping Weight: 1 lb.



Straight Brackets

Catalog Number: 26364
Shipping Weight: 2 lbs.
2 required



Offset Brackets

Catalog Number: 26348
Shipping Weight: 2 lbs.
2 required