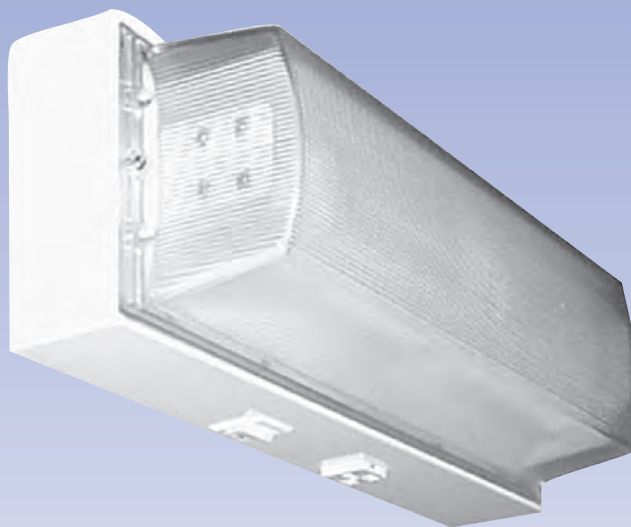


# RML SERIES

R  
M  
L

## Marine Inside-Type Mirror Light

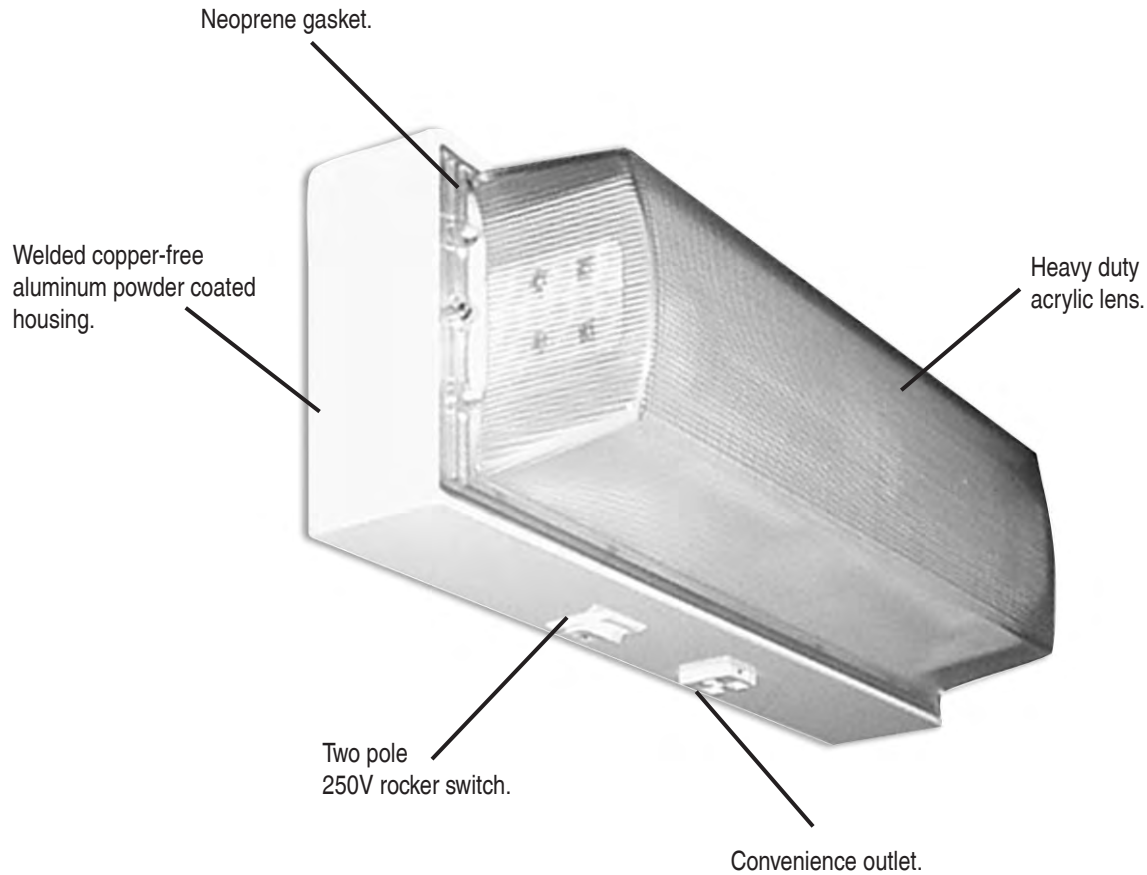
- UL 1598A Marine Inside Type
- Wall Mount
- Compact Fluorescent Lamps



**AZZ** | R-A-L™  
**RIG-A-LITE**

# RML SERIES

## Marine Inside-Type Mirror Light



- UL 1598A Marine Inside Type
- Welded copper free aluminum housing
- Powder coated baked-on white polyester finish
- Neoprene closed cell gasket
- All exposed hardware and inserts constructed of brass
- Heavy duty prismatic acrylic lens
- Wall mount

# RML Series

UL 1598A Marine Inside Type • Mirror Light • Welded Aluminum • Prismatic Acrylic Lens

## Catalog Number Logic

# RML

1

2

3

4

5

1

### BASIC SERIES

RML Series Mirror Light  
UL 1598A Marine Inside Type

2

### NUMBER OF LAMPS

2 = 2 Lamps

3

### LAMP CURRENT/LAMP WATTAGE

18 = 18 Watts  
26 = 26 Watts

4

### VOLTAGE/FREQUENCY

A = 120V 60 HZ  
B = 236V 60 HZ  
D = 220V 50 HZ

5

### OPTIONS<sup>1</sup>

LCO = Less Convenience Outlet

<sup>1</sup>Consult factory for pricing.

Catalog logic is for explaining catalog number structure only. Not all combinations are possible; consult factory for catalog numbers not listed in charts.

# FLUORESCENT RML Series

UL 1598A Marine Inside Type • Mirror Light • Welded Aluminum • Prismatic Acrylic Lens



- Welded copper free aluminum housing
- Baked-on powder coated polyester finish
- Prismatic acrylic lens
- Two pole 250V rocker switch
- Two 18 watt CF lamps, 26 watt also available
- Universal voltage electronic ballast standard
- Fixture without receptacle standard
- Stainless steel external hardware
- Internal visor/lamp shield

(Lamps are included)

No. of Lamps	Lamp Type	Voltage	Catalog Number
2	18 Watt, PL Lamp	120V 60 HZ	<b>RML-2-18-A-LCO</b>
	18 Watt, PL Lamp	236V 60 HZ	<b>RML-2-18-B-LCO</b>
	18 Watt, PL Lamp	220V 50 HZ	<b>RML-2-18-D-LCO</b>

## Fixture Dimensions (inches)

