

# SAFJ HI-LUMEN LED

## LED Area Lighting for Hazardous Locations

- Class I, Division 2, Groups A, B, C, & D
- Class II, Divisions 1 & 2, Groups E, F & G
- Class III
- UL 1598A Marine Outside Type
- UL 1598 Wet Locations
- UL 844 Hazardous Locations
- UL 8750 LED Safety
- Tested to LM 79 & LM 80
- 65° C Ambient Temperature
- NEMA 4X
- IP66
- CUL
- **IECEX**

Ex nA IIC T\* Gc

Ex tb IIIC T\*°C Db

-40°C ≤ Ta ≤ 55°C

-40°C ≤ Ta ≤ 65°C

Certificate: IECEX UL 18.0035X

- **ATEX**

⊕ Ex II 3 G

Ex nA IIC T\* Gc

-40°C ≤ Ta ≤ 55°C

-40°C ≤ Ta ≤ 65°C

Certificate: DEMKO 18 ATEX 1797X

⊕ Ex II 2 D

Ex tb IIIC T\*°C Db IP66

-40°C ≤ Ta ≤ 55°C

-40°C ≤ Ta ≤ 65°C

Certificate: DEMKO 18 ATEX 2047X



SAFJ HI-LUMEN LED



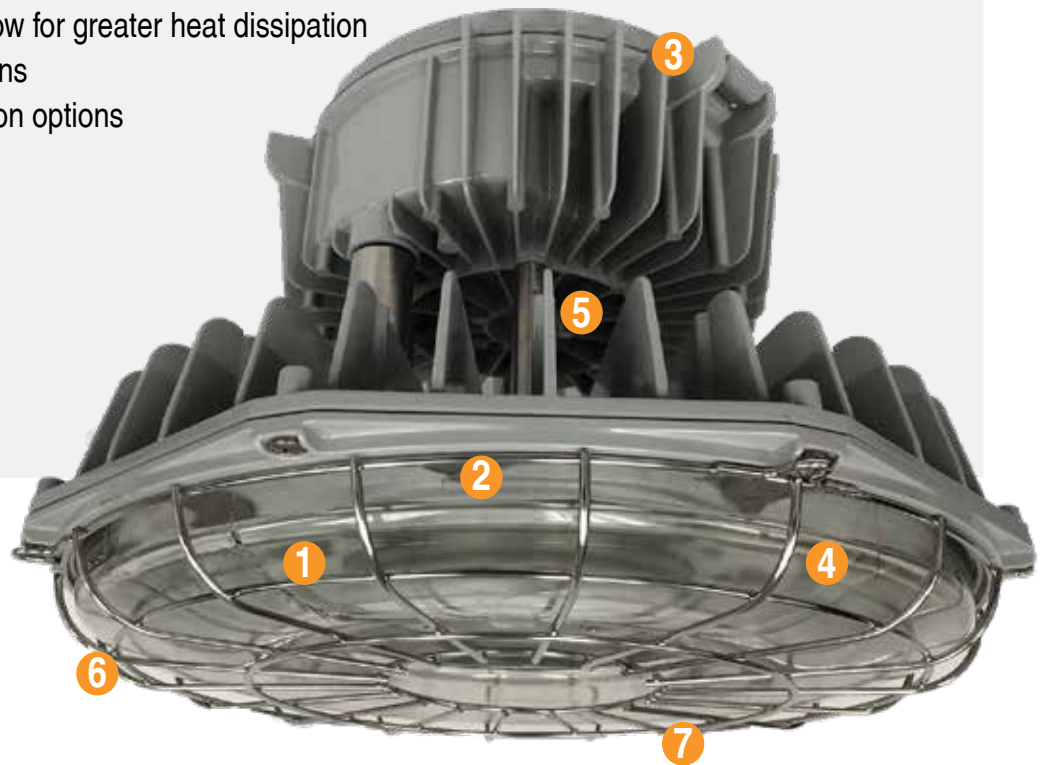
713.943.0340 | [azz.com/rigalite](http://azz.com/rigalite)

# SAFJ HI-LUMEN LED

## LED Area Lighting for Hazardous Locations

### Key Features:

- 1 Wide distribution pattern
- 2 Field replaceable LEDs and drivers
- 3 Hinged mount for easy access to internal components
- 4 Isolated LED compartment reduces temperature within driver housing
- 5 Unique design enhances airflow for greater heat dissipation
- 6 Heavy-duty tempered glass lens
- 7 Type I, III and V light distribution options



### Additional Features:

- Standard 10kV surge protection
- Pendant, ceiling, wall and stanchion mounting options
- Terminal block
- Mates directly to SAFJ HID and select competitor mounts
- Dimming option
- Optional stainless steel guard
- 5-year warranty

### Standard Materials:

- Body: A360 aluminum (less than .4% copper content) with baked-on gray epoxy finish
- Gaskets: One-piece silicone
- Lens: Borosilicate Glass
- Hardware: Stainless Steel

LED

# SAFJ HI-LUMEN

LED Area Lighting for Hazardous Locations

## Catalog Number Logic

**SAFJ 24-L3-U-G-1-G-P-XX**

1

2

3

4

5

6

7

8

9

1

### BASIC LUMINAIRE

SAFJ LED = N. American Standards<sup>1</sup>  
EXSAFJ LED = IEC, ATEX Standards<sup>1</sup>

2

### LAMP CURRENT / LAMP WATTAGE

16 = 160 Watts  
21 = 210 Watts  
24 = 240 Watts

3

### LAMP TYPE

L3 = LED

4

### DRIVER VOLTAGE

U = 120-277V 50/60HZ  
N = 347/480V 60HZ

5

### GLOBE

G = Clear Glass Globe

6

### OPTICS

Blank = Type V Light Distribution  
1 = Type I Light Distribution  
3 = Type III Light Distribution

7

### GUARD

G = Stainless Wire Guard

8

### MOUNTING STYLE

P = 3/4" Pendant Mount  
P1 = 1" Pendant Mount  
C = 3/4" Ceiling Mount  
C1 = 1" Ceiling Mount  
W = 3/4" Wall Mount  
W1 = 1" Wall Mount  
S = 1-1/4" 25° Stanchion Mount  
S1 = 1-1/2" 25° Stanchion Mount  
L = 1-1/4" 90° Stanchion Mount  
L1 = 1-1/2" 90° Stanchion Mount

9

### OPTIONS<sup>1</sup>

FB1 = Single Fuse Block<sup>2,3</sup>  
FB2 = Double Fuse Block<sup>2,3</sup>  
30 = 3000K CCT  
35 = 3500K CCT  
40 = 4000K CCT

<sup>1</sup> Consult factory for pricing.

<sup>2</sup> Not available with universal driver unless incoming voltage is specified.  
When installed, one fuse block is provided for 120 & 277V  
and two fuse blocks are provided for 208, 220, 240, 347 and 480V.  
Fuse not provided.

<sup>3</sup> FB option not available for marine listed fixtures or EXSAFJ models.

# LED SAFJ HI-LUMEN

LED Area Lighting for Hazardous Locations

## Certification Guide - SAFJ

Model	Mount	Wattage	Operating Voltage	Total Lumens	Lumens per Watt	CRI	CCT	Ambient Temperature	Class I, Div. 2, Group A, B, C & D	Class II, Div. 2, Group E, F & G Class III	Simultaneous Presence	Supply Wire Suitable Temperature, °C
SAFJ16L3UG	P, C, W, S, L	160W	120V - 277V 50/60 Hz	20,088	125.2	82.6	5035	-40°C < Tamb < 65°C*	T2D	N/A	N/A	90°C
SAFJ16L3*G	P, C, W, S, L	160W	120V - 277V 50/60 Hz, 347V/480V 60Hz	20,088	125.2	82.6	5035	-40°C < Tamb < 55°C*	T3	T4A	T2B	90°C
SAFJ16L3*G1	P, C, W, S, L	160W		14,345	89.1	85.3	5178	-40°C < Tamb < 55°C	T2D	T4	T2A	90°C
SAFJ16L3*G3	P, C, W, S, L	160W		16,708	103.6	84.3	5065	-40°C < Tamb < 55°C	T2D	T4	T2A	90°C
SAFJ21L3UG	P, C, W, S, L	210W	120V - 277V 50/60 Hz	26,001	128.1	82.5	4994	-40°C < Tamb < 65°C*	T2D	N/A	N/A	90°C
SAFJ21L3*G	P, C, W, S, L	210W	120V - 277V 50/60 Hz, 347V/480V 60Hz	26,001	128.1	82.5	4994	-40°C < Tamb < 55°C*	T3	T4A	T2B	90°C
SAFJ21L3*G1	P, C, W, S, L	210W		18,184	89.6	85.3	5171	-40°C < Tamb < 55°C	T2D	T4	T2A	90°C
SAFJ21L3/8G3	P, C, W, S, L	210W		21,023	103.6	84.3	5037	-40°C < Tamb < 55°C	T2D	T4	T2A	90°C
SAFJ24L3UG	P, C, W, S, L	240W	120V - 277V 50/60 Hz	30,815	127.6	83.7	5003	-40°C < Tamb < 65°C*	T2D	N/A	N/A	90°C
SAFJ24L3*G	P, C, W, S, L	240W	120V - 277V 50/60 Hz, 347V/480V 60Hz	30,815	127.6	83.7	5003	-40°C < Tamb < 55°C*	T3	T4A	T2B	90°C
SAFJ24L3*G1	P, C, W, S, L	240W		21,813	90.5	86.7	5199	-40°C < Tamb < 55°C	T2D	T4	T2A	90°C
SAFJ24L3*G3	P, C, W, S, L	240W		25,370	105.1	85.7	5076	-40°C < Tamb < 55°C	T2D	T4	T2A	90°C

\* U or N models

# LED SAFJ HI-LUMEN

LED Area Lighting for Hazardous Locations

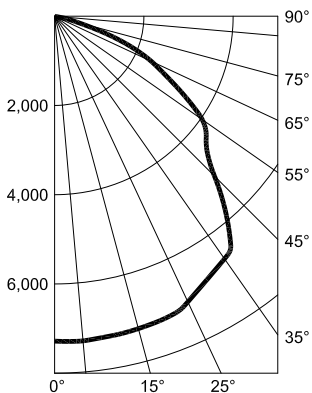
## Certification Guide - EXSAFJ

Model	Mount	Wattage	Operating Voltage	Total Lumens	Lumens per Watt	CRI	CCT	Ambient Temperature	Non-Sparking (nA)	Dust (tb)	Simultaneous (nA and tb)
EXSAFJ16L3UG	P, C, W, S, L	160W	120V - 277V 50/60 Hz	20,088	125.2	82.6	5035	-40°C < Tamb < 65°C*	Ex II 3 G Ex nA IIC T251°C Gc	Ex II 2 D Ex tb IIIC T92°C Db IP66	Ex II 3 G Ex nA IIC T251°C Gc Ex II 2 D Ex tb IIIC T92°C Db IP66
EXSAFJ16L3NG	P, C, W, S, L	160W	347V/480V 60Hz	20,088	125.2	82.6	5035	-40°C < Tamb < 55°C*	Ex II 3 G Ex nA IIC T241°C Gc	Ex II 2 D Ex tb IIIC T82°C Db IP66	Ex II 3 G Ex nA IIC T241°C Gc Ex II 2 D Ex tb IIIC T82°C Db IP66
EXSAFJ16L3G1	P, C, W, S, L	160W	120V - 277V 50/60 Hz, 347V/480V 60Hz	14,345	89.1	85.3	5178	-40°C < Tamb < 55°C*	Ex II 3 G Ex nA IIC T280°C Gc	Ex II 2 D Ex tb IIIC T82°C Db IP66	Ex II 3 G Ex nA IIC T280°C Gc Ex II 2 D Ex tb IIIC T82°C Db IP66
EXSAFJ16L3G3	P, C, W, S, L	160W		16,708	103.6	84.3	5065	-40°C < Tamb < 55°C*	Ex II 3 G Ex nA IIC T280°C Gc	Ex II 2 D Ex tb IIIC T82°C Db IP66	Ex II 3 G Ex nA IIC T280°C Gc Ex II 2 D Ex tb IIIC T82°C Db IP66
EXSAFJ21L3UG	P, C, W, S, L	210W	120V - 277V 50/60 Hz	26,001	128.1	82.5	4994	-40°C < Tamb < 65°C*	Ex II 3 G Ex nA IIC T251°C Gc	Ex II 2 D Ex tb IIIC T92°C Db IP66	Ex II 3 G Ex nA IIC T251°C Gc Ex II 2 D Ex tb IIIC T92°C Db IP66
EXSAFJ21L3NG	P, C, W, S, L	210W	347V/480V 60Hz	26,001	128.1	82.5	4994	-40°C < Tamb < 55°C*	Ex II 3 G Ex nA IIC T241°C Gc	Ex II 2 D Ex tb IIIC T82°C Db IP66	Ex II 3 G Ex nA IIC T241°C Gc Ex II 2 D Ex tb IIIC T82°C Db IP66
EXSAFJ21L3G1	P, C, W, S, L	210W	120V - 277V 50/60 Hz, 347V/480V 60Hz	18,184	89.6	85.3	5171	-40°C < Tamb < 55°C*	Ex II 3 G Ex nA IIC T280°C Gc	Ex II 2 D Ex tb IIIC T82°C Db IP66	Ex II 3 G Ex nA IIC T280°C Gc Ex II 2 D Ex tb IIIC T82°C Db IP66
EXSAFJ21L3G3	P, C, W, S, L	210W		21,023	103.6	84.3	5037	-40°C < Tamb < 55°C*	Ex II 3 G Ex nA IIC T280°C Gc	Ex II 2 D Ex tb IIIC T82°C Db IP66	Ex II 3 G Ex nA IIC T280°C Gc Ex II 2 D Ex tb IIIC T82°C Db IP66
EXSAFJ24L3UG	P, C, W, S, L	240W	120V - 277V 50/60 Hz	30,815	127.6	83.7	5003	-40°C < Tamb < 65°C*	Ex II 3 G Ex nA IIC T251°C Gc	Ex II 2 D Ex tb IIIC T92°C Db IP66	Ex II 3 G Ex nA IIC T251°C Gc Ex II 2 D Ex tb IIIC T92°C Db IP66
EXSAFJ24L3NG	P, C, W, S, L	240W	347V/480V 60Hz	30,815	127.6	83.7	5003	-40°C < Tamb < 55°C*	Ex I 3 G Ex nA IIC T241°C Gc	Ex II 2 D Ex tb IIIC T82°C Db IP66	Ex II 3 G Ex nA IIC T241°C Gc Ex II 2 D Ex tb IIIC T82°C Db IP66
EXSAFJ24L3G1	P, C, W, S, L	240W	120V - 277V 50/60 Hz, 347V/480V 60Hz	21,813	90.5	86.7	5199	-40°C < Tamb < 55°C*	Ex II 3 G Ex nA IIC T280°C Gc	Ex II 2 D Ex tb IIIC T82°C Db IP66	Ex II 3 G Ex nA IIC T280°C Gc Ex II 2 D Ex tb IIIC T82°C Db IP66
EXSAFJ24L3G3	P, C, W, S, L	240W		25,370	105.1	85.7	5076	-40°C < Tamb < 55°C*	Ex I 3 G Ex nA IIC T280°C Gc	Ex II 2 D Ex tb IIIC T82°C Db IP66	Ex II 3 G Ex nA IIC T280°C Gc Ex II 2 D Ex tb IIIC T82°C Db IP66

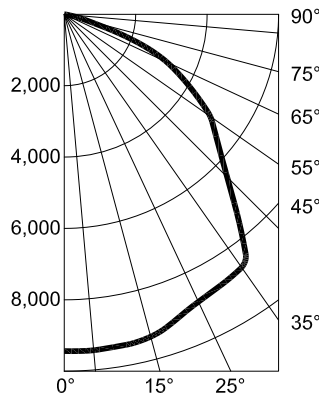
\* U or N models

### Photometric Data

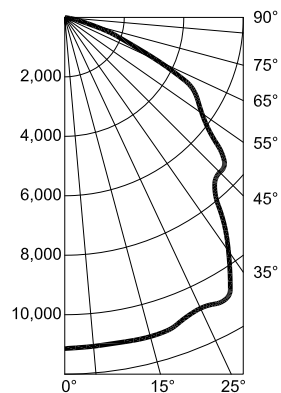
#### SAFJ16L3UG



#### SAFJ21L3UG



#### SAFJ24L3UG

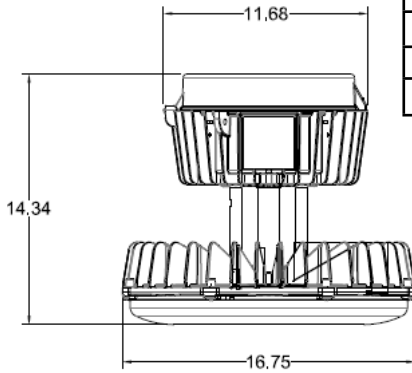


LED

# SAFJ HI-LUMEN

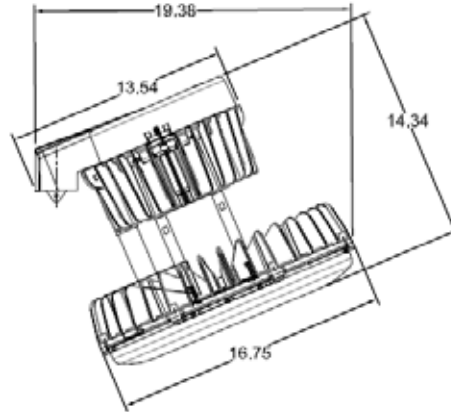
LED Area Lighting for Hazardous Locations

## Pendant mount



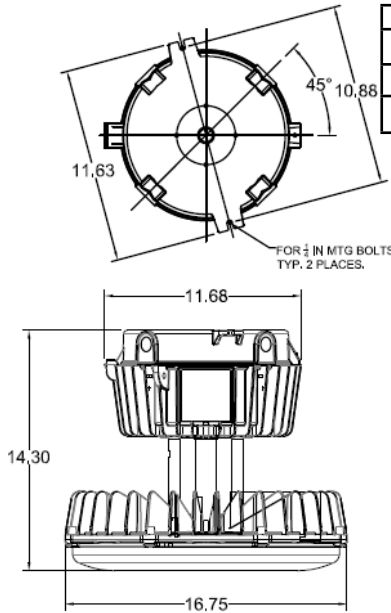
Fixture	Weight
SAFJ24L3UG	42 lbs.
SAFJ21L3UG	40 lbs.
SAFJ16L3UG	38 lbs.

## 25° Stanchion Mount



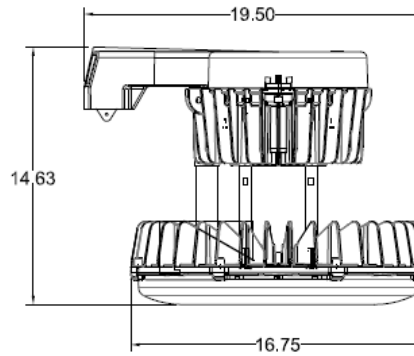
Fixture	Weight
SAFJ24L3UG	44 lbs.
SAFJ21L3UG	42 lbs.
SAFJ16L3UG	40 lbs.

## Ceiling Mount



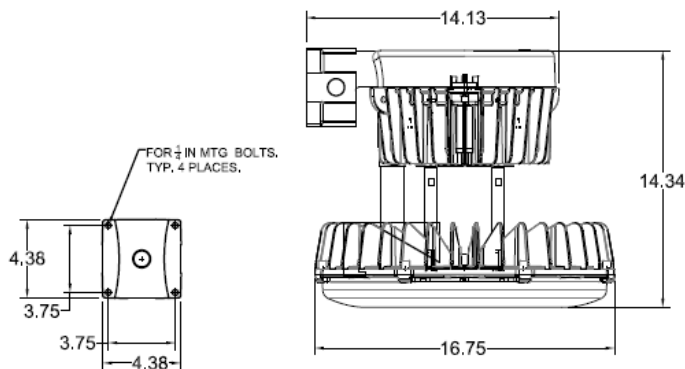
Fixture	Weight
SAFJ24L3UG	42 lbs.
SAFJ21L3UG	40 lbs.
SAFJ16L3UG	38 lbs.

## 90° Stanchion Mount



Fixture	Weight
SAFJ24L3UG	45 lbs.
SAFJ21L3UG	43 lbs.
SAFJ16L3UG	41 lbs.

## Wall Mount










Fixture	Weight
SAFJ24L3UG	45 lbs.
SAFJ21L3UG	43 lbs.
SAFJ16L3UG	41 lbs.

LED

# SAFJ HI-LUMEN

LED Area Lighting for Hazardous Locations

Outlet Boxes	Catalog No.	Conduit Hub Size (In.)	Shipping Weight (Lbs.)
<b>Rigid Pendant</b> 	JMP	3/4	3.0
	JMP1	1	3.0
<b>Ceiling Mount</b> 	JMC	3/4	3.5
	JMC1	1	3.5
<b>Wall Mount</b> 	JMW	3/4	6.0
	JMW1	1	6.0
<b>25° Stanchion Mount</b> 	JMS	1-1/4	5.0
	JMS1	1-1/2	5.0
<b>90° Stanchion Mount</b> 	JML	1-1/4	6.0
	JML1	1-1/2	6.0

Globes And Guards	Catalog No.	Description	Shipping Weight (Lbs.)
<b>Guard</b> 	86324	Stainless Steel Wire Guard	1.0
<b>Clear Glass Globe</b> 	36242	Clear Glass Globe	9.0