

SHLF HIGH/MID-BAY LED

LED Area Lighting for Hazardous Locations

- Class I, Division 2, Groups A, B, C & D
- Zone 2, Groups IIA, IIB & IIC
- UL 844 Hazardous Locations
- UL 1598A Marine Outside Type
- UL 1598 Wet Locations
- UL 8750 LED Safety
- 45°C Ambient Temperature
- CAN/CSA C22.2 No. 250.0-08
- CAN/CSA C22.2 No. 137-M1981
- IP66
- NEMA 4X
- Tested to LM79, LM80 Standards



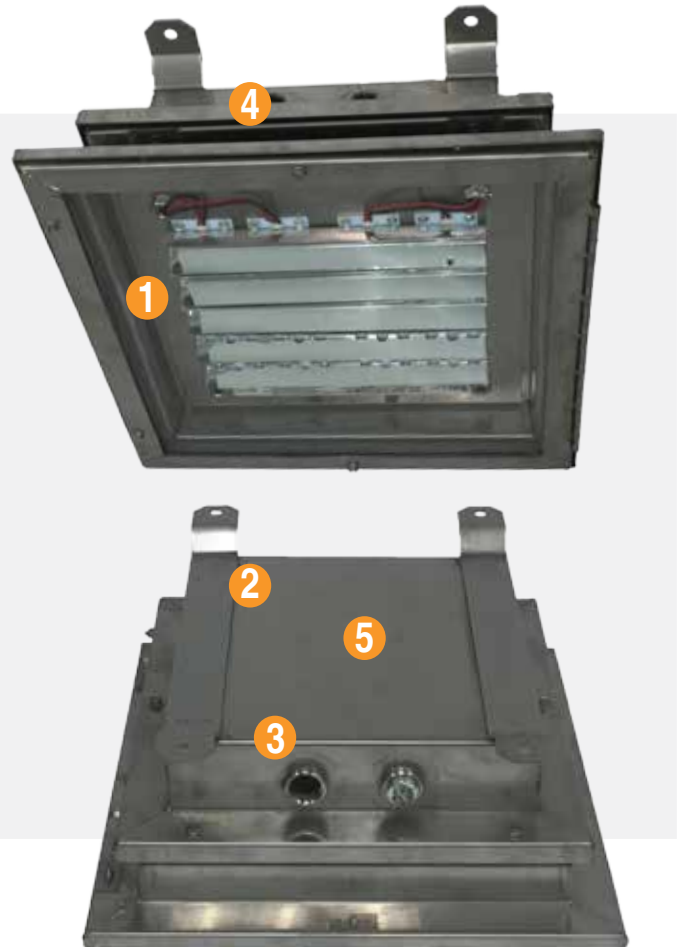
713.943.0340 | azz.com/rigalite

SHLF HIGH/MID-BAY

LED Area Lighting for Hazardous Locations

Key Features:

- 1 High-performance precision optics system
- 2 Field replaceable LED circuit boards and drivers with quick disconnects
- 3 Permanent safety cable retention points
- 4 Separate LED/driver chambers for maximum heat dissipation
- 5 Terminal block



Additional Features:

- Standard 10kV surge protection
- 3/4 NPT hub(s)
- Optional polycarbonate lens
- Pendant mount available
- Ceiling mount available
- 5-year warranty

Standard Materials:

- Body: Type 304 Stainless Steel (Optional Type 316)
- Gaskets: Silicone
- Lens: Tempered Glass (Optional Polycarbonate)
- Hardware: Stainless Steel

LED

SHLF HIGH/MID-BAY

LED Area Lighting for Hazardous Locations

Catalog Number Logic

SHLF-15-L-U-C-76-XX

1

2

3

4

5

6

7

1

BASIC SERIES
SHLF LED

2

INPUT WATTS
07 = 70W
15 = 130W

3

LAMP TYPE
L = LED (5,000K CCT)

4

VOLTAGE/FREQUENCY
U = 120 thru 277V 50/60 HZ
N = 347/480V 60 HZ
A = 120V 60 HZ¹
B = 220V/240V 60 HZ¹
C = 277V 60 HZ¹

5

MOUNTING
T = Trunnion
C = Ceiling
P = Pendant

6

BEAM DISTRIBUTION
76 = 7H x 6V

7

OPTIONS²
FB1 = Single Fuse Block^{1,3}
FB2 = Double Fuse Block^{1,3}
40 = 4000K CCT
PC = Polycarbonate Lens
316 = 316 Stainless Steel

¹ Voltages for fuse block and surge protector.

² Consult factory for pricing.

³ Not for Marine application.

Catalog logic is for explaining catalog number structure only. Not all combinations are possible; consult factory for catalog numbers not listed in charts.



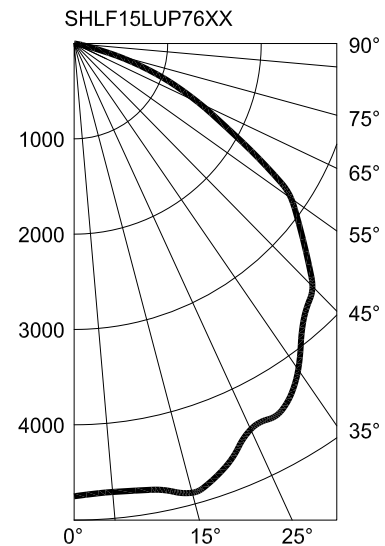
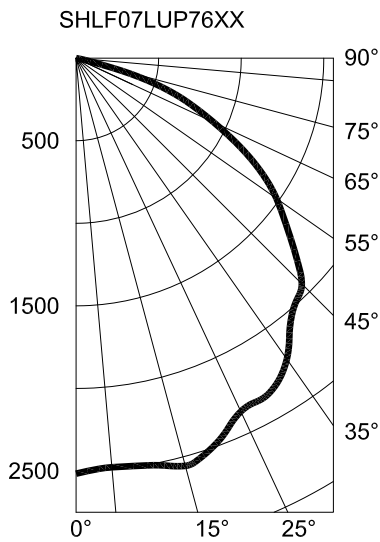
LED SHLF HIGH/MID-BAY

LED Area Lighting for Hazardous Locations

Certification Guide

| Model | Wattage | Operating Voltage | Total Lumens | Lumens per Watt | CRI | CCT | Ambient Temperature | Class 1, Div. 2 Group A, B, C & D | Supply Wire Suitable Temperature, °C | Shipping* Weight (Lbs.) |
|---------------|---------|--|--------------|-----------------|-----|------|---------------------|-----------------------------------|--------------------------------------|-------------------------|
| SHLF07LU_76XX | 60W | 120V - 277V 50/60 Hz, 347V/480V 60 Hz | 7248 | 124 | 72 | 5012 | 45°C | T3A | 90°C | 42 |
| SHLF15LU_76XX | 115W | 120V - 277V 50/60 Hz, 347V/480V 60 Hz | 13790 | 120 | 73 | 5039 | 45°C | T3A | 90°C | 45 |

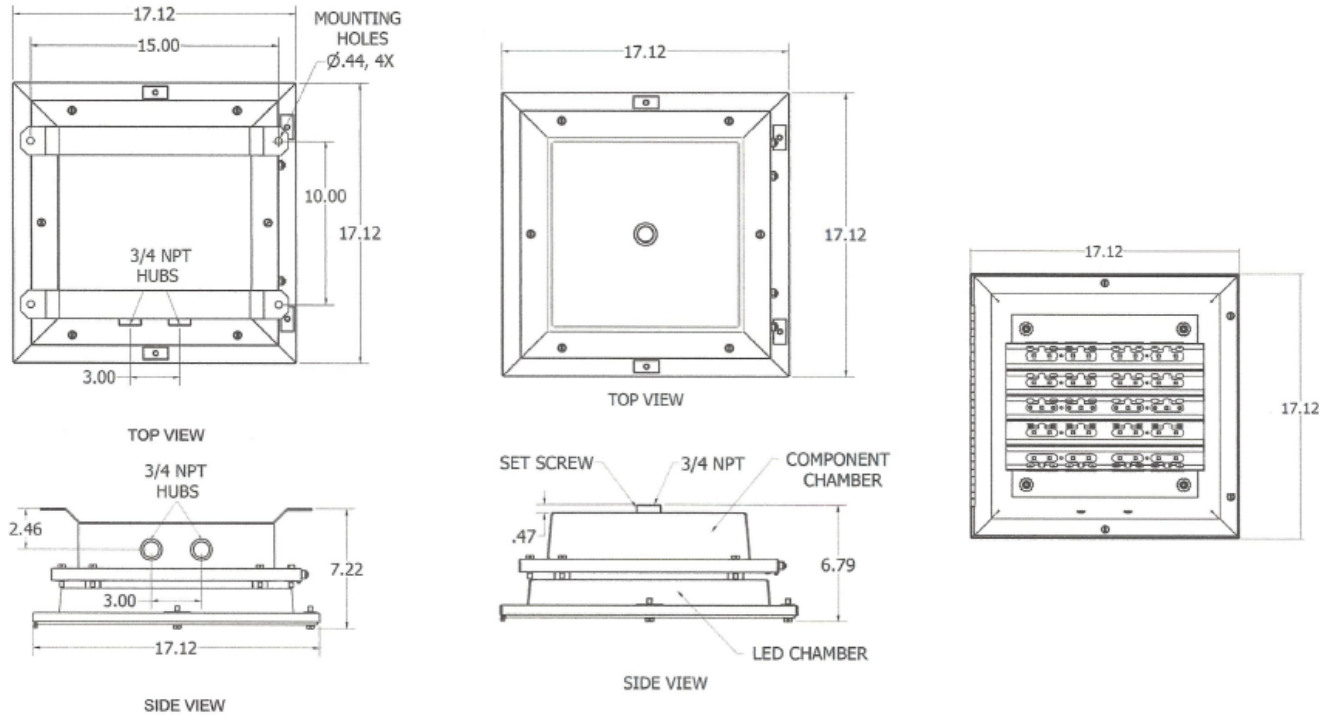
Photometric Data



LED
SHLF HIGH/MID-BAY

LED Area Lighting for Hazardous Locations

Fixture Dimensions (inches)



Accessories

| SAFETY CABLE | Catalog No. | Shipping Weight (Lbs.) |
|---|-------------|------------------------|
|  | 10128R | 1.0 |