

SSFN SERIES

Stainless Steel Flood Lighting for Hazardous Locations

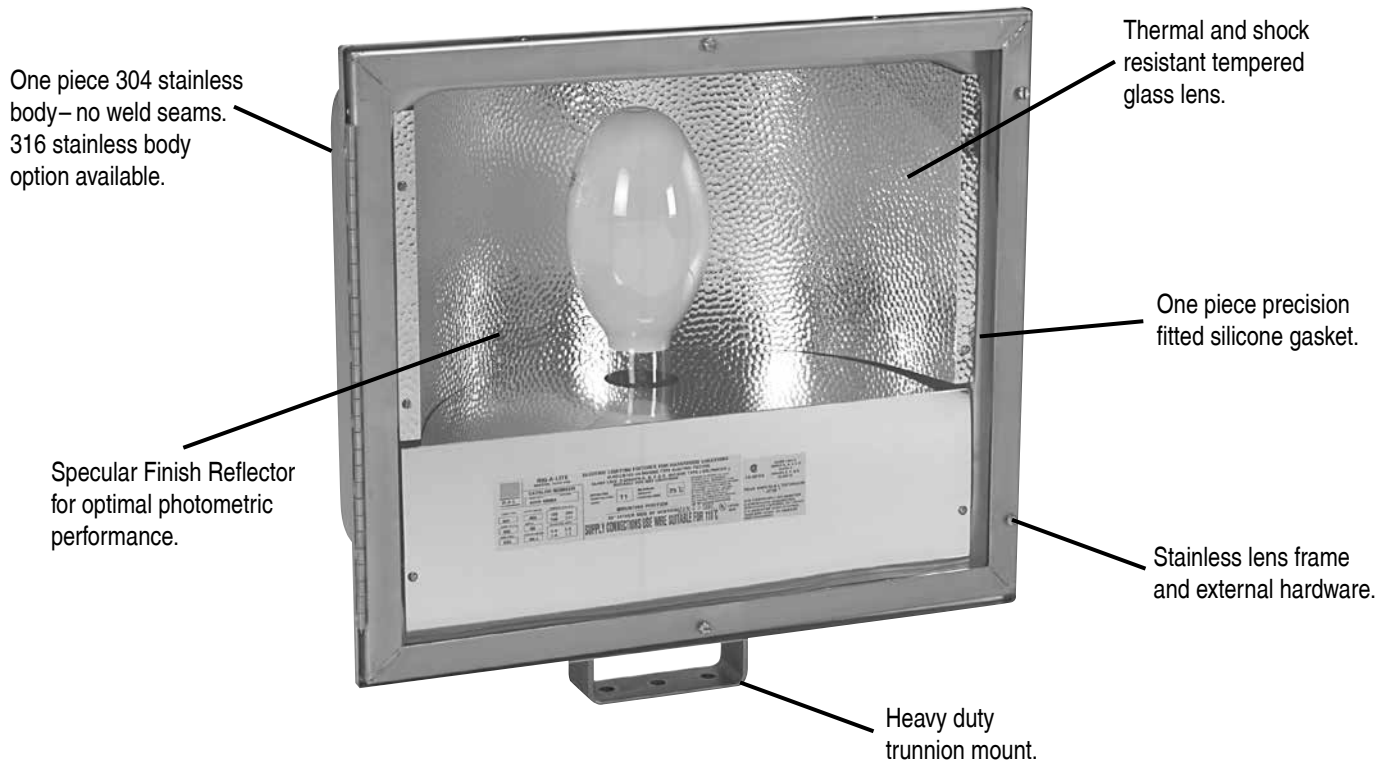
- Class I, Division 2 Groups A, B, C & D
- UL 844 Hazardous Locations
- UL 1598 Wet Locations
- UL 1598A Marine Outside Type
- CUL
- IP66
- Class I, Zone 2
- Restricted Breathing (400W Max.)
- AEx nR II, Ex nR II T3
- Enclosed & Gasketed
- NEMA 3R, 4X
- 40° C Ambient (320-1000W)
- 55° C Ambient (175-250W)
- **IECEX**
 - Ex nR IIC T3 Gc
 - 30°C ≤ Ta ≤ 55°C, IP66
 - Certificate: IECEX UL 15.0043X
- **ATEX**
 - ⊕ Ex II 3 GD
 - Ex nR n IIC T5 Gc
 - 30°C ≤ Ta ≤ 55°C, IP66
 - Certificate: DEMKO 15 ATEX 1417X



713.943.0340 | azz.com/rigalite

SSFN SERIES

Stainless Steel Flood Lighting for Hazardous Locations



- Restricted Breathing—no annual testing required

SSFN Series

Hazardous Locations • Stainless Steel • Class I, Division 2 • UL 1598A, 844 • CUL • AEx nR II, Ex nR II, T3

Catalog Number Logic

SSFN 40-S-04-XX

1
2
3
4
5

1

BASIC SERIES

SSFN = N. American Standards
EXSSFN = IEC, ATEX Standards

LAMP CURRENT/LAMP WATTAGE

07 = 70 Watt
10 = 100 Watt
15 = 150 Watt
17 = 175 Watt
25 = 250 Watt
32 = 320 Watt
35 = 350 Watt
40 = 400 Watt
100 = 1000 Watt

LAMP TYPE (MOGUL BASE)

S = High Pressure Sodium
(100, 150, 200, 250 & 400 Watt)
H = Metal Halide
(100, 175, 250, 320, 350,
400 & 1000 Watt)

VOLTAGE/FREQUENCY

04 = Multi-tap (120, 208, 220, 240 & 277V)
12 = 120V 60 HZ
20 = 208V 60 HZ
22 = 220 thru 240V 50 HZ
24 = 240V 60 HZ

4

27 = 277V 60 HZ
34 = 347V 60 HZ
48 = 480V 60 HZ

OPTIONS¹

Q = Auxiliary Quartz Relay²
QTD= Auxiliary Quartz Relay Hot & Cold Start²
PC = Photo Cell³
FB1 = Single Fuse Block^{4,5}
FB2 = Double Fuse Block^{4,5}
PL = Clear Acrylic Shield
R = Instant Restrike (HPS Only- up to 150W)
316 = Type 316 Stainless Steel Body
PS = Pulse Start⁶
LS = Lamp Support
V = Visor⁷

5

¹ Consult factory for pricing.

² Limited to 175W Maximum HID Lamp

³ Not suitable for hazardous locations.

⁴ Not available with multi-tap ballast unless incoming voltage is specified. When installed, one fuse block/fuse holder is provided for 120, 277V. Fuse not included. Option not available for marine listed fixtures.

⁵ Not available with multi-tap ballast unless incoming voltage is specified. When installed, two fuse blocks/fuse holders are provided for 208, 240, 347 and 480V. Fuse not included. Option not available for marine listed fixtures.

⁶ Use universal or appropriate position oriented lamp.

⁷ Available for fixtures up to 400W.

METAL HALIDE • HIGH PRESSURE SODIUM

SSFN Series

Hazardous Locations • Stainless Steel • Class I, Division 2 • UL 1598A, 844 • CUL • AEx nR II, Ex nR II, T3



(Lamps not included)

- Class I, Division 2, Groups A, B, C and D
- Class I, Zone 2, AEx nR II, Ex nR II, T3
- UL 844 Hazardous Locations
- UL 1598 Wet Locations
- UL 1598A Marine Outside Type
- CUL
- Metal halide or high pressure sodium
- Maximum light utilization
- Integral, pre-wired ballast
- Available in 70, 100, 150, 250, 400 and 1000 watt high pressure sodium
- Available in 175, 250, 400 and 1000 watt metal halide
- Multiple voltages
- Thermal and shock resistant tempered glass lens sealed with one piece precision fitted silicone gasket
- 304 stainless steel standard, 316 available
- Heavy-duty stainless steel trunnion mount
- 40° C Ambient (320-1000W)
- 55° C Ambient (175-250W)

Fixture Type	Dimensions Figure Number	Lamp Wattage	Voltage	Catalog Number	Shipping Weight (Lbs.)	
High Pressure Sodium	1	70	Multi-Tap*	SSFN07-S-04	29.0	
			480V/60 HZ	SSFN07-S-48	29.0	
		100	Multi-Tap*	SSFN10-S-04	30.0	
			480V/60 HZ	SSFN10-S-48	30.0	
		150	Multi-Tap*	SSFN15-S-04	33.0	
			480V/60 HZ	SSFN15-S-48	33.0	
	2	250	Multi-Tap*	SSFN25-S-04	45.0	
			480V/60 HZ	SSFN25-S-48	45.0	
		400	Multi-Tap*	SSFN40-S-04	46.0	
			480V/60 HZ	SSFN40-S-48	46.0	
	3	1000	Multi-Tap*	SSFN100-S-04-316	85.0	
			480V/60 HZ	SSFN100-S-48-316	85.0	
Metal Halide	2	175	Multi-Tap*	SSFN17-H-04	32.0	
			480V/60 HZ	SSFN17-H-48	32.0	
		250	Multi-Tap*	SSFN25-H-04	41.0	
			480V/60 HZ	SSFN25-H-48	41.0	
		320	Multi-Tap*	SSFN32-H-04	43.0	
			480V/60 HZ	SSFN32-H-48	43.0	
		350	Multi-Tap*	SSFN35-H-04	43.0	
			480V/60 HZ	SSFN35-H-48	43.0	
		400	Multi-Tap*	SSFN40-H-04	43.0	
			480V/60 HZ	SSFN40-H-48	43.0	
		3	1000	Multi-Tap*	SSFN100-H-04-316	83.0
				480V/60 HZ	SSFN100-H-48-316	83.0

* 120/208/240/277V 60 HZ

METAL HALIDE • HIGH PRESSURE SODIUM

SSFN Series

Hazardous Locations • Stainless Steel • Class I, Division 2 • UL 1598A, 844 • CUL • AEx nR II, Ex nR II, T3

Fixture Dimensions (inches)

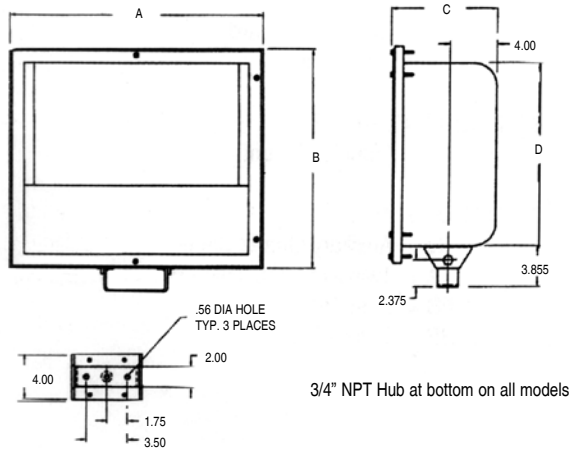


FIGURE 1 & 2

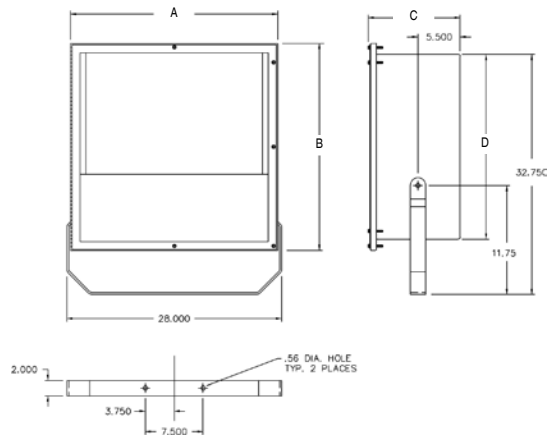


FIGURE 3

Dimensions Figure Number	A	B	C	D	Effective Projected Area (EPA)
1	17.00	17.00	9.00	14.00	2.02 sq. ft.
2	22.00	19.00	9.00	16.00	2.92 sq. ft.
3	27.00	27.00	12.00	24.00	5.20 sq. ft.

Certification Guide

Model	Lamp	Housing Size	Ambient Temperature °C	Class I, Division 2 Groups A, B, C & D	Class I, Zone 2, AEx nR II, Ex nR II	Supply Wire Suitable Temperature °C
SSFN100	MH/ HPS	Fig. 3 (27 X 27)	40	T1	-	125
SSFN40	MH/HPS	Fig. 2 (22 X 19)	40	T1	T3	125
SSFN35	MH	Fig. 2 (22 X 19)	40	T1	T3	125
SSFN32	MH	Fig. 2 (22 X 19)	40	T1	T3	125
SSFN25	MH/HPS	Fig. 2 (22 X 19)	55	T1	T3	125
SSFN17	MH	Fig. 2 (22 X 19)	55	T2	T3	125
SSFN17Q	MH	Fig. 2 (22 X 19)	40	591°C	-	125
SSFN15	HPS	Fig. 2 (22 X 19)	55	T1	T3	125
SSFN15	HPS	Fig. 1 (17 X 17)	40	T2B	T3	125
SSFN15Q	HPS	Fig. 1 (17 X 17)	40	550°C	-	125
SSFN10	HPS	Fig. 1 (17 X 17)	40	T2	T3	125
SSFN10	HPS	Fig. 1 (17 X 17)	40	591°C	-	125

Mounting Restriction:

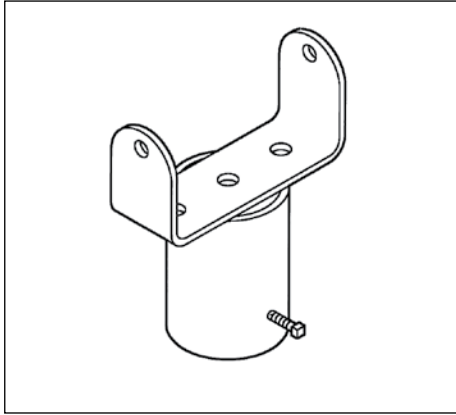
30° either side of vertical lamp- base down

METAL HALIDE • HIGH PRESSURE SODIUM

SSFN Series

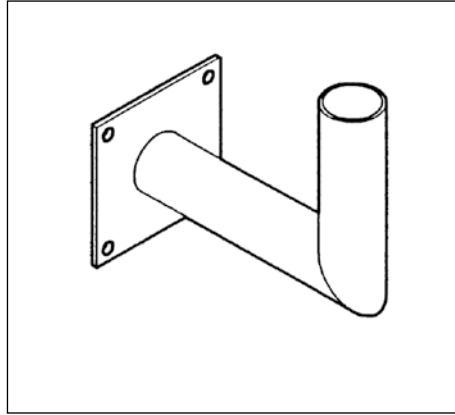
Hazardous Locations • Stainless Steel • Class I, Division 2 • UL 1598A, 844 • CUL • AEx nR II, Ex nR II, T3

Accessories



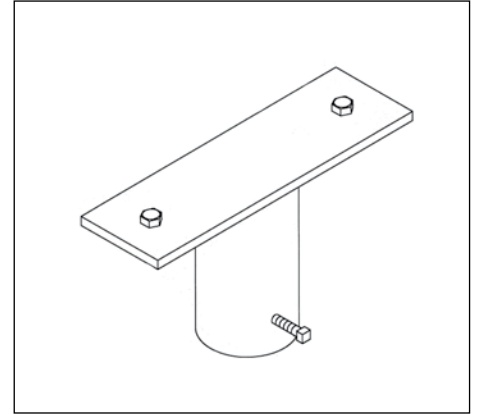
Stainless Steel Pole Mounting Bracket

(175-400 Watt fixtures only) fits over 2 in. pipe
Catalog Number: 53049 (Acid Washed or Polished)
Shipping Weight: 3 lbs.



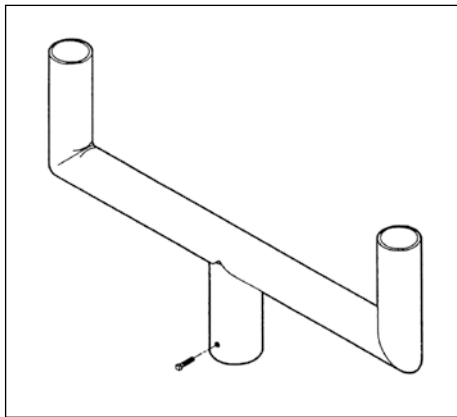
Stainless Steel Wall Mount Bracket

To be used with catalog number 53049
Catalog Number: 26379SS (Acid Washed or Polished)
Shipping Weight: 7.5 lbs.



Pole Mounting Bracket

(1000 Watt Flood Only)
Slips over 2-3/8 in. O.D. maximum pipe
Catalog Number 26145A (Acid Washed or Polished)
Shipping Weight: 3.5 lbs.



Stainless Steel Dual Pole Mounting Bracket

(175-400 Watt fixtures only)
To be used with (2) pole mounting brackets
(Catalog Number 53049) and fits over 2 in. pipe
EPA 0.08 sq. ft.
Catalog Number: 26150 (Acid Washed or Polished)
Shipping Weight: 16 lbs.



Safety Cable

Catalog Number: 10128R
Shipping Weight: 1.0 lb.