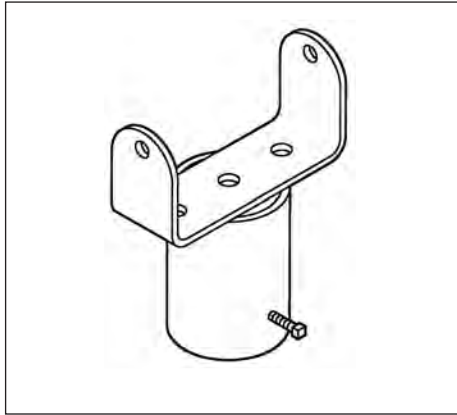


SSFN Series

Hazardous Locations • Stainless Steel • Class I, Division 2 • UL 1598A, 844 • CUL • AEx nR II, Ex nR II, T3

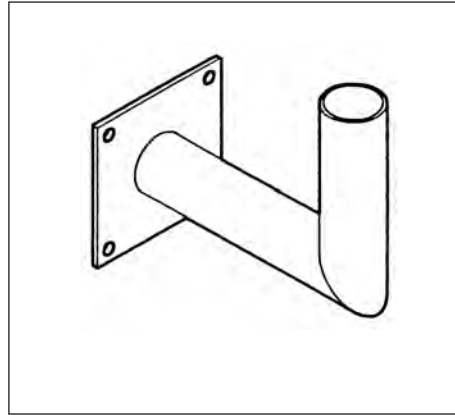
Accessories



Stainless Steel

Pole Mounting Bracket

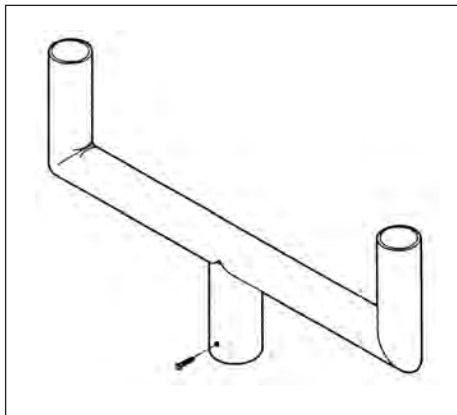
(175-400 Watt fixtures only) fits over 2 in. pipe
Catalog Number: 53049 (Acid Washed or Polished)
Shipping Weight: 3 lbs.



Stainless Steel

Wall Mount Bracket

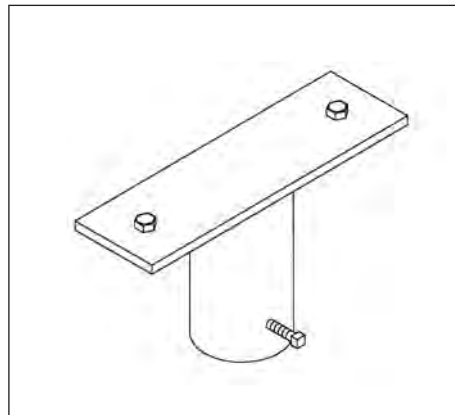
To be used with catalog number 53049
Catalog Number: 26379SS (Acid Washed or Polished)
Shipping Weight: 7.5 lbs.



Stainless Steel

Dual Pole Mounting Bracket

(175-400 Watt fixtures only)
To be used with (2) pole mounting brackets
(Catalog Number 53049) and fits over 2 in. pipe
EPA 0.08 sq. ft.
Catalog Number: 26150 (Acid Washed or Polished)
Shipping Weight: 16 lbs.



Pole

Mounting Bracket

(1000 Watt Flood Only)
Slips over 2-3/8 in. O.D. maximum pipe
Catalog Number 26145A (Acid Washed or Polished)
Shipping Weight: 3.5 lbs.