

# XPEX LED SERIES

## Explosion Proof Edge Lit LED Exit Light

- Class I, Division 1, Groups C & D
- Class II, Division 1, Groups E, F & G
- Class III
- Class I, Zone 1, Groups IIA, IIB,
- UL 844, 8750 & UL924
- UL 1598A Marine Outside Type
- Temperature Class (T-Rating)-T6
- CSA C22.2 No. 250.0-08
- CSA C22.2 No. 141-10
- Patent No. 7,287,347
- IP65



713.943.0340 | [azz.com/rigalite](http://azz.com/rigalite)

# XPEX SERIES

## Explosion Proof LED Edge Lit Exit Light

### Key Features:

- 1 Emergency battery back-up integral to sign (no additional enclosure required)
- 2 3-hour emergency operation
- 3 Optional battery back-up self-diagnostic feature
- 4 Field replaceable LED circuit boards and drivers with quick disconnects
- 5 Edge-lit sign



### Additional Features:

- Wall, pendant and end mounting options
- Alternate exit legend and languages available
- Single- or double-sided option
- Sealed NiCad batteries
- Provided with three (3) ½ " NPT hubs
- Red or green LED options

### Standard Materials:

- Body: A356T6 aluminum (less than .4% copper content) with baked-on gray epoxy finish
- Gasket: One-piece silicone
- Sign: Acrylic
- Hardware: Stainless steel

# XPEX Series

Explosion Proof • UL 844 • UL 924 • UL 1598A Marine Outside Type

## Catalog Number Logic

# XPEX-2-G-DT-WP-XX

1

2

3

4

5

6

1

### BASIC SERIES

XPEX Explosion Proof LED Exit Light

2

### NUMBER OF FACES

1 = Single Face  
2 = Double Face

3

### LEGEND COLOR

R = Red  
G = Green

4

### VOLTAGE / FREQUENCY

DT = 120/277V 60HZ  
24 = 220-240V 50/60HZ  
Other voltages available - consult factory

5

### MOUNTING

WP = Wall/Pendant Mounting  
EB = End Bracket

6

### OPTIONS<sup>1</sup>

EM = Emergency Battery Backup  
EU = Green Running Man Exit Legend  
SD = Self Diagnostics  
X = Exit Legend in Other Languages  
Language Must Be Specified

<sup>1</sup>Consult factory for pricing.

## Maximum Input Power

Red no battery - 1.5 Watts  
Red with battery - 2.5 Watts  
Green no battery - 2.3 Watts  
Green with battery - 3.0 Watts

## Operating Temperature Range

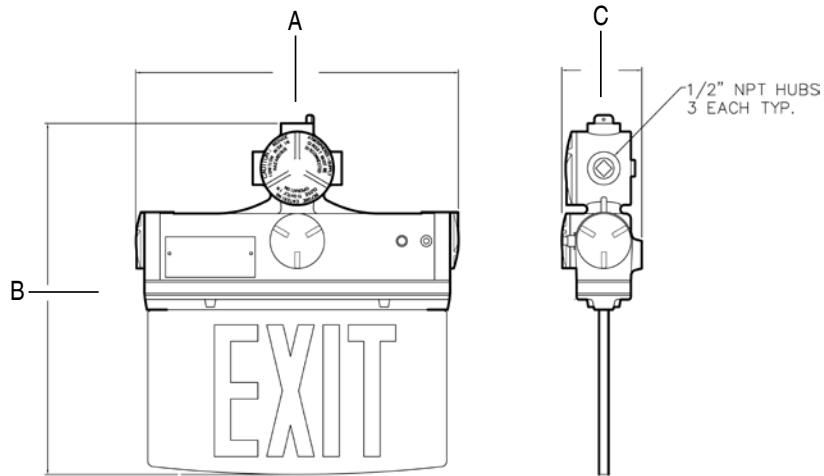
Temperature Rating - T6  
Red Legend  
+10°C Minimum to +55°C Maximum  
Green Legend  
+10°C Minimum to +40°C Maximum

Catalog logic is for explaining catalog number structure only. Not all combinations are possible; consult factory for catalog numbers not listed in charts.

# XPEX Series

Explosion Proof • UL 844 • UL 924 • UL 1598A Marine Outside Type

## XPEX Series Fixture Dimensions (inches)



XPEX SERIES	Dimensions (inches)			Boxed Weight	Shipping Volume (Boxed Fixtures)
	A	B	C		
XPEX LED Exit Sign/Light	14.88	3.69	16.00	14 lbs.	1.24 cu. ft.